

# FENESTRATION MAGIC



It's amazing how much you can do with so few sections and the pneumatic punching tool makes fabricating shopfront quicker too, it's magic.

**HBS**  
ALUMINIUM SYSTEMS



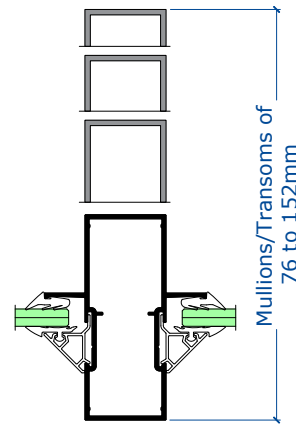
# NuKlip Shopfront

*- for the Architect*

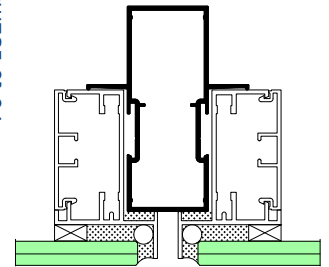
## THE MAGIC SHOPFRONT SYSTEM

- For shopping malls, offices and internal partitions.
- Reliably tested to SANS613:2011 in a SANAS accredited ISO17025 test laboratory.
- Bead glazing 4 to 19mm or Flush Glazing 4 to 28mm.
- Door types:
  - Hinged, Swing and Sliding, Automated sliding doors.
- Window types:
  - Top & Side hung on friction stays (outside opening).
  - Pivot sash, horizontal or vertical opening.
- Louvre Types:
  - 25mm Y-shape or 44mm Z-shape.

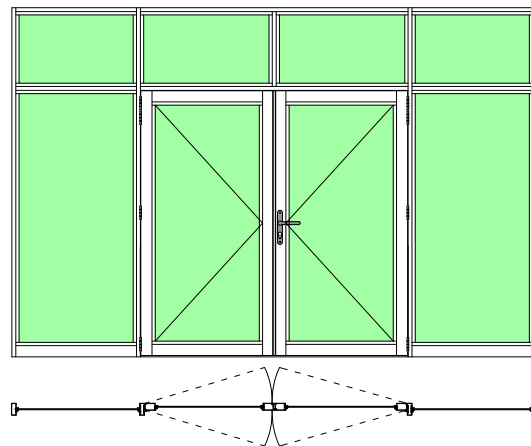
Typical ShopFront Bead Glazing



Typical Flush Glazing



- **Inside & outside opening doors** (single or double, hinged or swing)

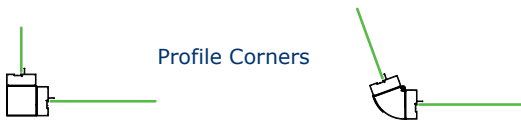


## FRAME CONSTRUCTION OPTIONS

- **Flat screens** Optional compensation

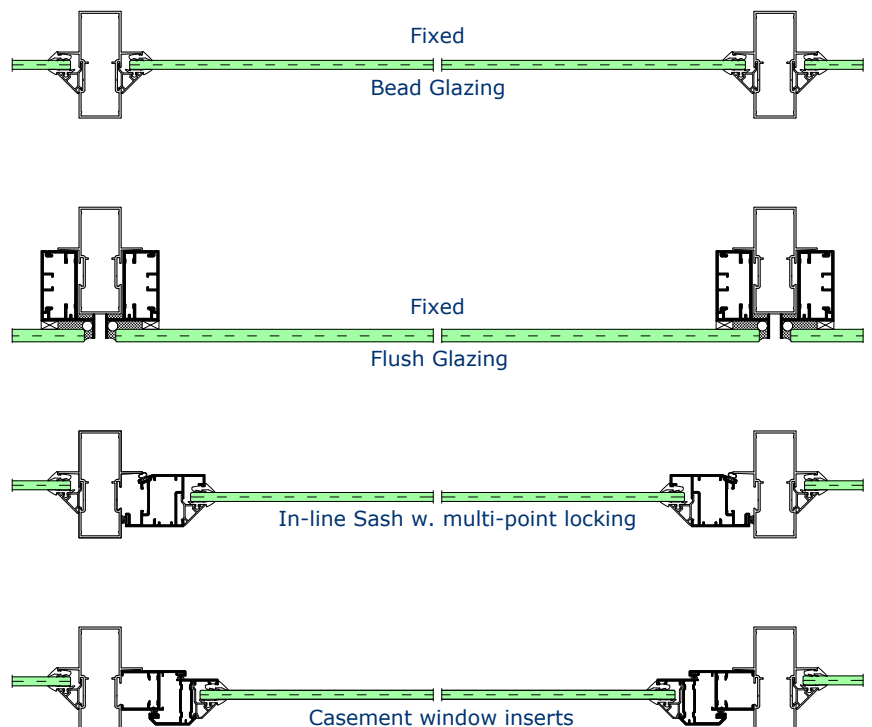
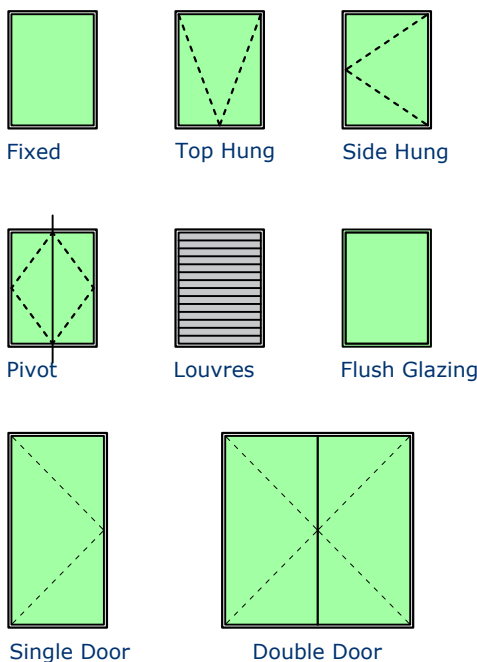


- **Corner construction** Fixed or adjustable



## FRAME INSERTS - DOORS & WINDOWS

- **Standard sash & door inserts**





# NuKlip Shopfront

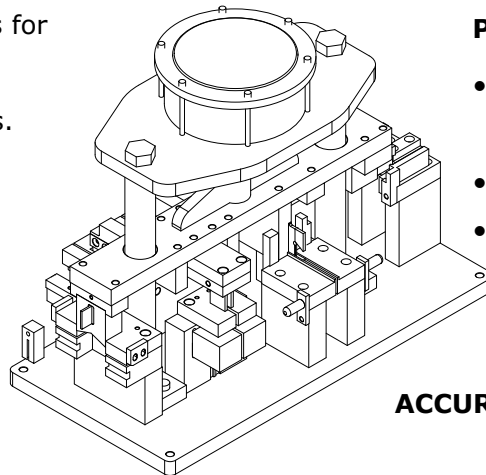
- for the Fabricator

## PRODUCT PERFORMANCE

- Quick pneumatic punching of all profiles for superior fit and finish.
- Multi-point locking or Casement handles.
- Flexible filler profiles for both mullion and door profiles.
- Uses Spigots all throughout.

## RECOMMENDED SIZES

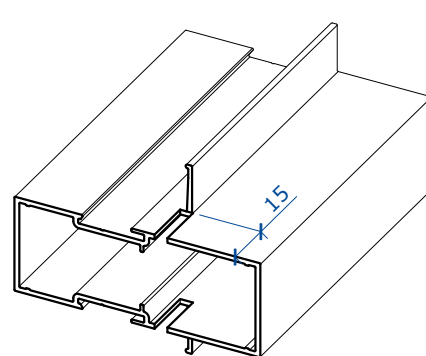
- Max. screen height 4500mm at 1200mm mullion spacing.
- Doors up to 3000mm height.
- 37mm Top hung sash - max. size 1400x975mm, max weight 80kg.



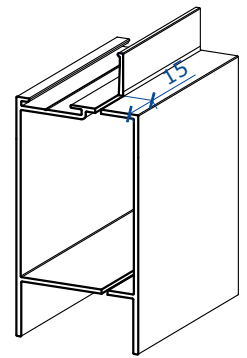
## PRECISION FABRICATION

- Easy and quick machining & fabrication.
- Increased productivity.
- Cost-effective, reduces wastage and incorrect machining.

## ACCURATE PUNCHING RESULTS

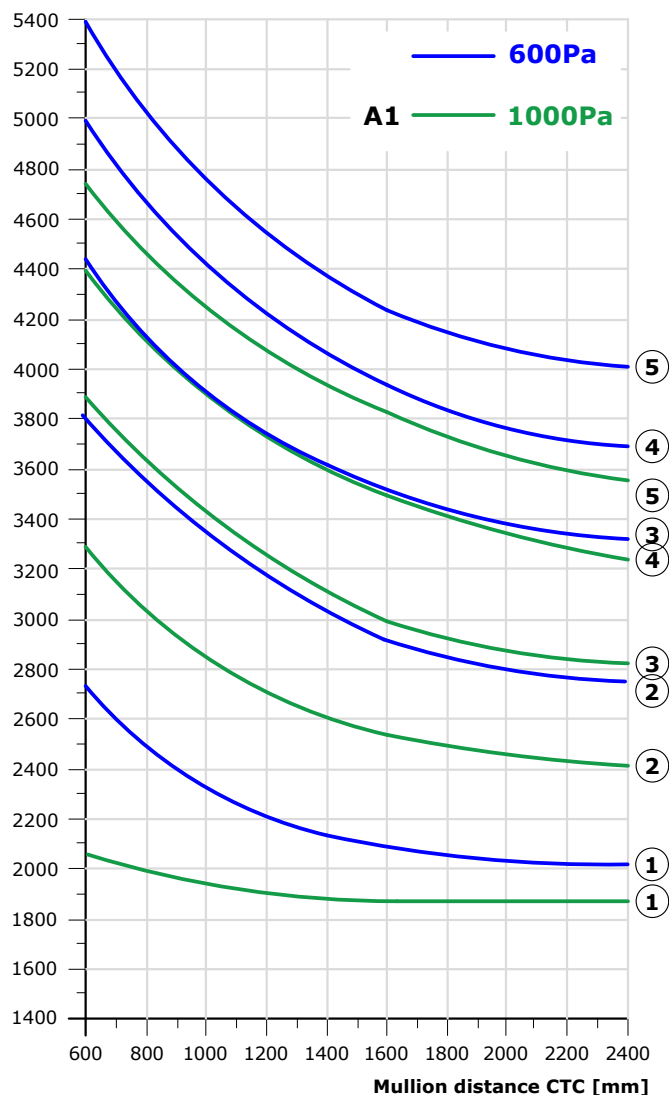


Mullion/Transom



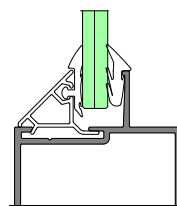
Top/bottom Rail

## PERFORMANCE CHART

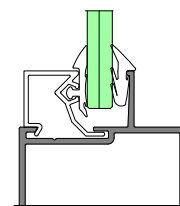


## GLASS & GLAZING

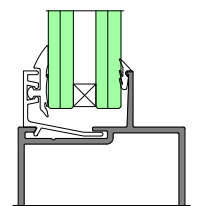
(Sloping)



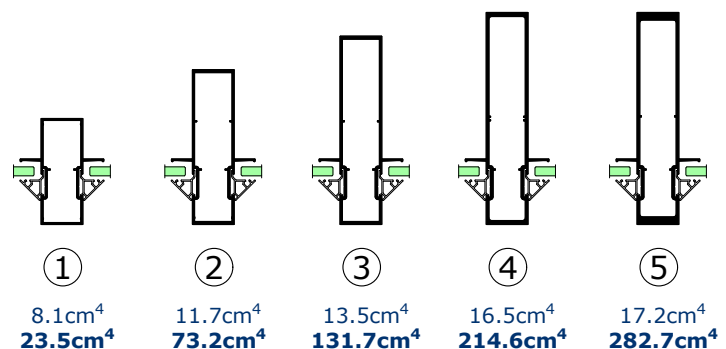
(Straight)



(Double)



- Sloping or Straight beads.
- 4 to 19mm glazing thickness.
- Hulabond panels or boards also applicable.



# REASONS WHY ARCHITECTS, FABRICATORS AND HOME OWNERS LOVE NUKLIP SHOPFRONT

## 1. MAGICAL SHOPFRONT

This versatile Shopfront system works in domestic and commercial settings, and caters to a wide range of door and window applications.

Doors - Hinged, Floor Spring, Sliding.

Windows - Friction Stays, Pivoted, Fly Screens, Louvres for doors & windows.

## 2. SIMPLE AND DURABLE

Our Shopfront sections allow for effortless and long lasting products that are single or double glazed, with options for standard bead glazing or flush glazing.

## 3. QUICKER FABRICATION

Quality assured precision punching, makes machining and fabrication up to 10 times faster, and more cost effective. Fit and finish is superior to competing products. Technical support is available on request.

## 4. LOCALLY STOCKED & SUPPORTED

All Shopfront profiles and hardware are available off the shelf, no extended lead times. Place the order, choose the colour and you will be fabricating and installing in no time.

## 5. TESTED IN ACCREDITED TEST LABORATORY

Guaranteed product quality and performance as every system from HBS is tested to its limits under SANAS accreditation to SANS613:2011.