

EXPLORER



The Explorer inside glazed system empowers fabricators to go as high as they want with no scaffolding. It is quick, easy and incredibly cost effective.

HBS
ALUMINIUM SYSTEMS



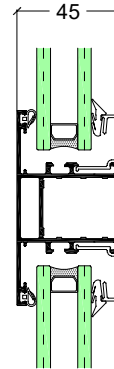
Explorer

European style fenestration

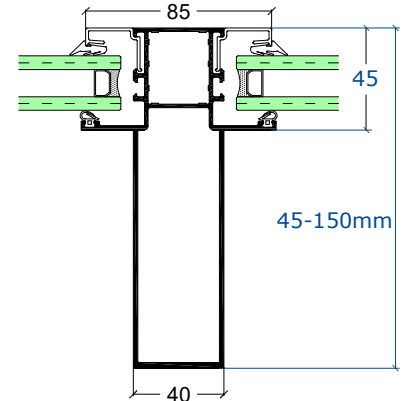
FEATURES

- Tilt & Turn windows and doors for high-end domestic application and modular commercial installation.
- Safety glazing from inside (without scaffolding).
- Top level fit and finish from accurate Pnuematic punching.
- Screens up to 3600 height with 1200mm centers.
- Double and Single glazing up to 32.5mm thickness.
- Compensation and split mullion panel-by-panel installation.

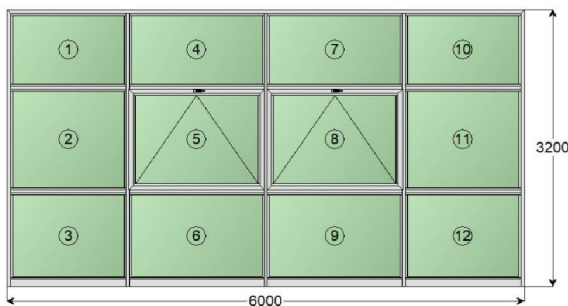
Typical Transom



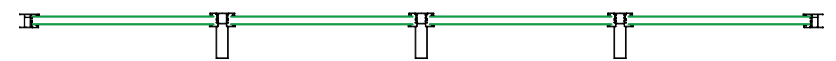
Typical Mullion



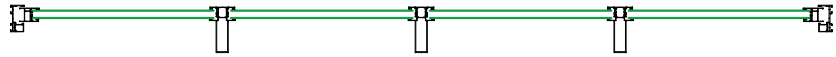
FRAME CONSTRUCTION OPTIONS



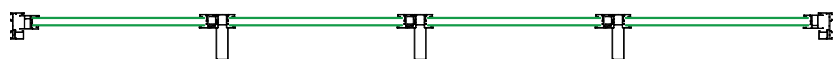
Installation w. Lugs or screws.



Fast installation w. Compensating frames.

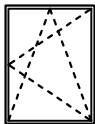


Fast installation of Large products w. Compensation & Split mullions.

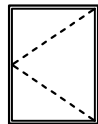


WINDOW OPTIONS

Inside opening



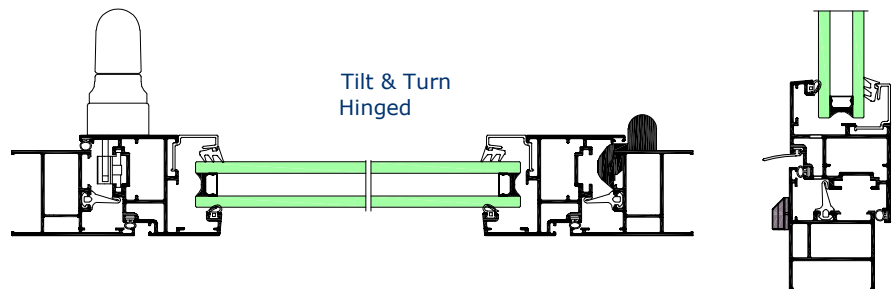
Tilt & Turn Hinged



Side Hung Hinged

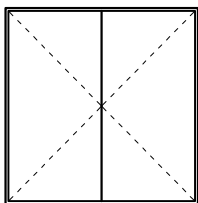


Tilt Only Hinged

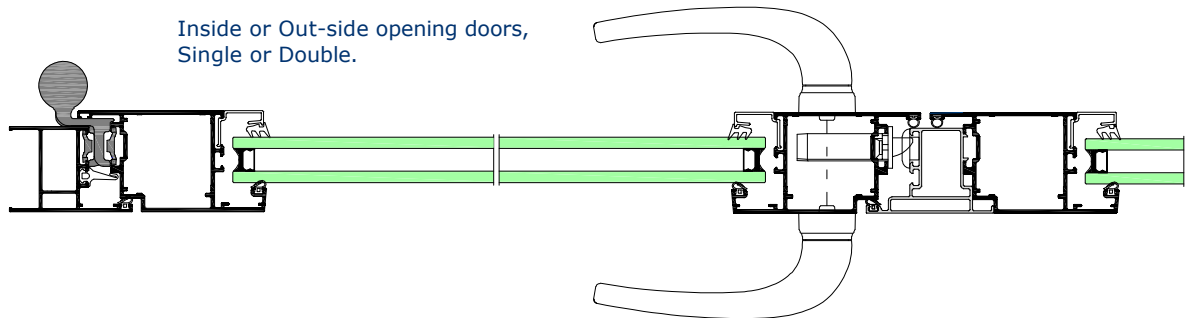


Tilt & Turn Hinged

DOOR OPTIONS



Inside or Out-side opening doors, Single or Double.

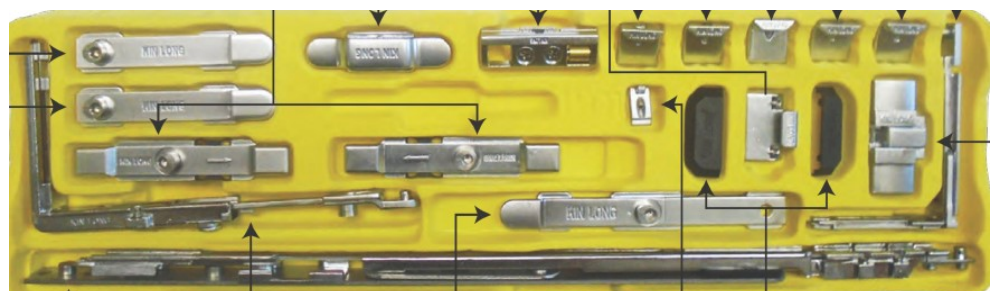


HARDWARE & ACCESSORIES

Handles & Hinges stocked in black.
Door Hinges up to 150kg, adjustable.

Tilt & Turn components supplied in kits allow for easy fabrication.

- 3 or 6 point locking.
- up to 90kg per sash.





European style fenestration

PERFORMANCE, SANS613:2011 A4 RATED

**Accredited Laboratory
Test Certificate**

SANS 613:2011

THIS CERTIFICATE RECORDS THE SUCCESSFUL TESTING OF THE TEST SAMPLE INDICATED BELOW IN ACCORDANCE WITH SOUTH AFRICAN FENESTRATION PRODUCT STANDARD SANS613:2011 excl. par. 5.7

A4	MANUFACTURER: HBS ALUMINIUM SYSTEMS	WATER PRESSURE: 500 [PA]	DATE OF ISSUE: 30 FEB, 2018
PERFORMANCE CLASS	TEST SAMPLE: HBS EXPLORER	DEFLECTION PRESSURE: 2500 [PA]	
	SYSTEM SUPPLIER: HBS ALUMINIUM SYSTEMS	STRUCTURAL PRESSURE: 3750 [PA]	
	TEST NUMBER: HBS18-07	AIR INFILTRATION: 0.131 [L/sec/m²]	

TEST SAMPLE DETAILS:

DESCRIPTION: **EXPLORER w. S.H.SASH, COMPENSATED.**

H X W: **3000 x 3000mm**

DRAWING NAME: **07 – HBS18 - Explorer side hung window**

NO. OF PAGES: **19**

PROFILES USED ON TEST SAMPLE (CODE & DESCRIPTION):

MULLION: **150mm AB6017**

TRANSOM: **90mm AB6015**

FRAME SILL: **45mm AB6011**

FRAME TOP: **45mm AB6011**

FRAME JAMB: **45mm AB6011**

SASH: **56mm AB504**

SILL: **AB6003**

SILL COVER: **AB6022**

HEAD COMP: **AB6004**

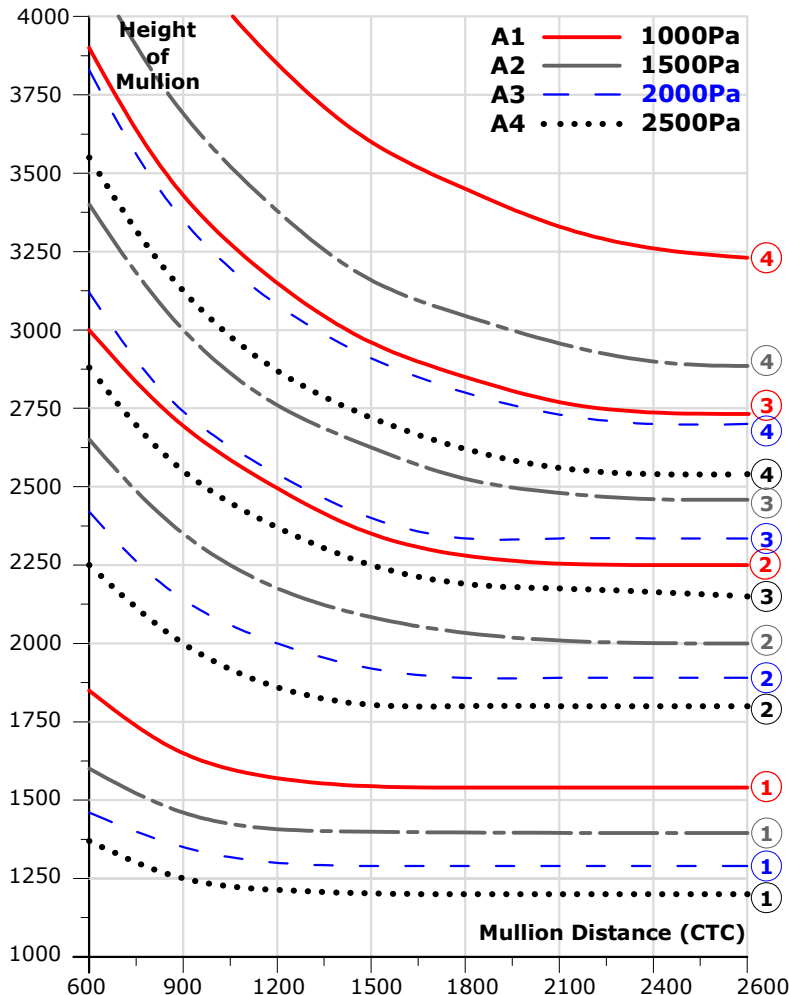
JAMB COMP: **AB6004**

COMP. LOCK: **AB6022**

TEST SAMPLE ELEVATION:

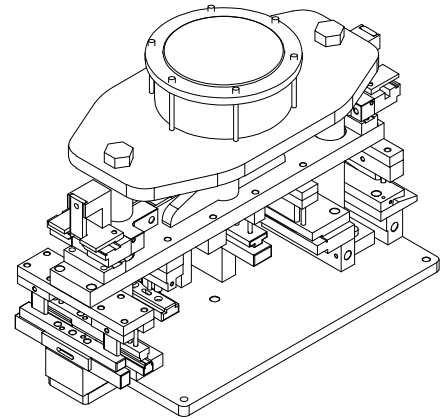
- A4 rating (SANS613) allows for High or Low-rise application, coastal or inland.
- A4 rating for Tilt & Turn, side hung and tilt-only sashes.
- Glazing up to 32.5mm allows for great U-values across the range of products and good sound insulation.

PERFORMANCE CHART



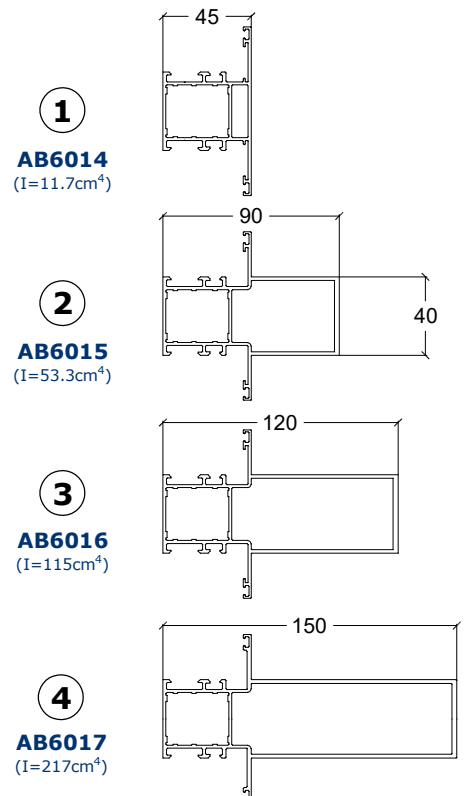
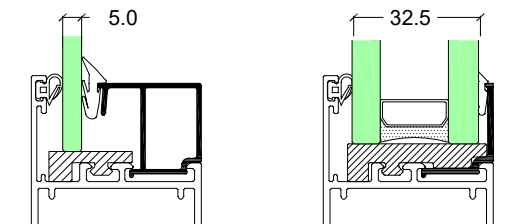
PRECISION FABRICATION

- Quick, accurate punching for increased productivity & reduced wastage and cost.
- Excellent fit and finish.



GLAZING

- Single layer safety glass 5-12mm
- Double glazing 21.5 - 32.5mm can be installed w. correct glass support.



REASONS WHY ARCHITECTS, FABRICATORS AND HOME OWNERS LOVE EXPLORER

1. EUROPEAN STYLE FENESTRATION

The Explorer inside glazing system allows for efficient installation, maintenance and repairs.

2. TESTED TO THE LIMIT

Compliance to SANS613 A4 performance class allows it to be specified and installed in almost all occurring conditions in South Africa and regionally.

3. HIGH PERFORMANCE WINDOW AND DOOR SYSTEM

Durability and excellent thermal performance makes all Explorer products suitable for premium domestic or commercial use.

4. LOCALLY STOCKED

Explorer profiles and hardware are available off the shelf, so no extended lead times. Place the order, choose the colour and you will be fabricating and installing in no time.

5. HIGH SECURITY

This internally installed system, together with internal glazing beads and multi-point locking, allows for better security.



ALUMINIUM SYSTEMS

www.hbs.co.za