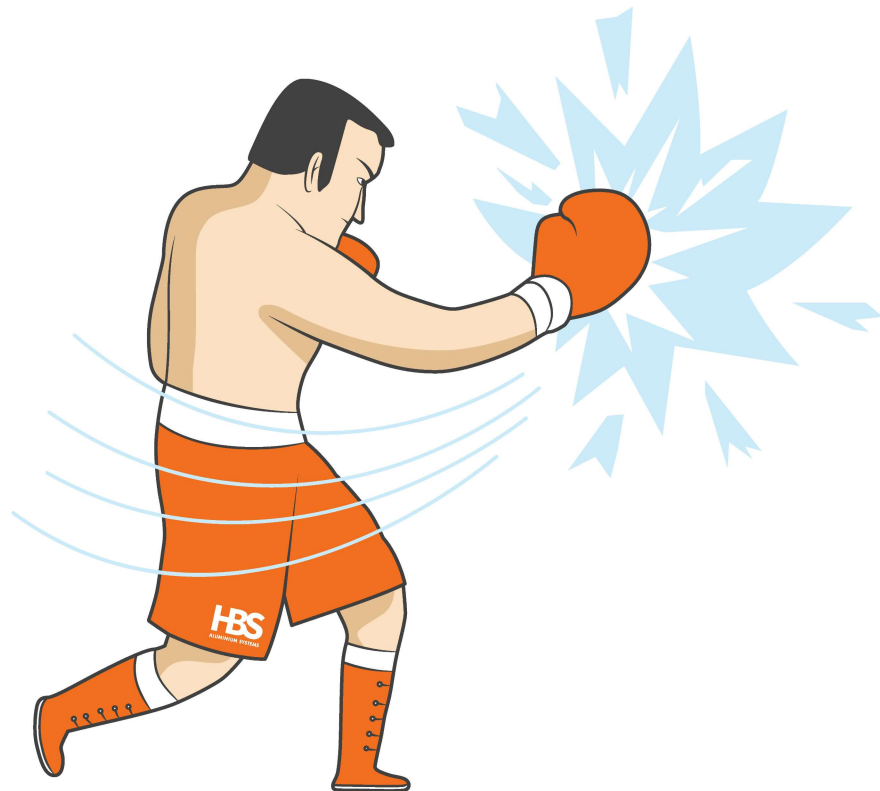


KNOCKOUT PUNCH 900



Fabricate sliding doors and windows
in record time with Coastal pneumatic
punching tools, a lightning fast
knockout punch.

HBS
ALUMINIUM SYSTEMS



Coastal 900 Slider

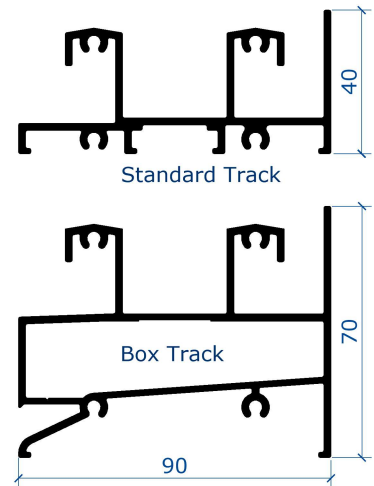


- for the Architect

HIGH PERFORMANCE SLIDING WINDOW & DOOR SYSTEM

35mm thick panels set on 90 or 135mm framework.

- A3 maximum performance allows for Coastal & Inland application.
- 2 and 3 track Sliding Windows & Doors up to 3000mm high.
- Single & Double Glazing up to 24mm.
- Multi point Lock handle, Hook lock or Flush Lock handle.
- Cover caps provide superior quality and finish.



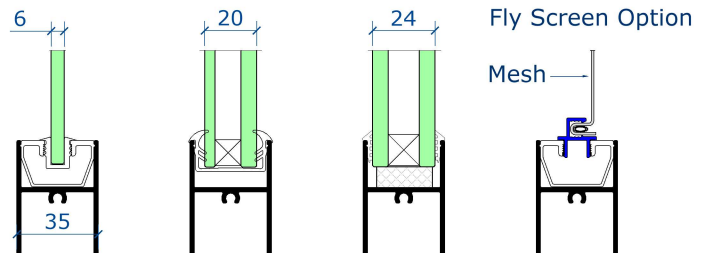
HBS ALUMINIUM SYSTEMS		Accredited Laboratory Test Certificate		sanas testing laboratory	
SANS 613:2011		T0777		DATE OF ISSUE: 8 JULY, 2022	
THIS CERTIFICATE RECORDS THE SUCCESSFUL TESTING OF THE TEST SAMPLE INDICATED BELOW IN ACCORDANCE WITH SOUTH AFRICAN FENESTRATION PRODUCT STANDARD SANS613:2011 excl. par. 5.7					
A3 PERFORMANCE CLASS	MANUFACTURER:	HBS ALUMINIUM SYSTEMS	WATER PRESSURE:	400 [PA]	
	TEST SAMPLE:	Coastal 900	DEFLECTION PRESSURE:	2000 [PA]	
	SYSTEM SUPPLIER:	HBS ALUMINIUM SYSTEMS	STRUCTURAL PRESSURE:	3000 [PA]	
	TEST NUMBER:	HBS22/05	AIR INFILTRATION:	1.446 [L/sec/m ²]	
TEST SAMPLE DETAILS:			TEST SAMPLE ELEVATION:		
DESCRIPTION: COASTAL 900 XO SLIDING WINDOW			DRAWING NAME: HBS22/05 SAMPLE DRAWING		
DRAWING NAME: HBS22/05 SAMPLE DRAWING			NO. OF PAGES: 16		
PROFILES USED ON TEST SAMPLE (CODE & DESCRIPTION):			TEST SAMPLE ELEVATION: 1500		
INTERLOCK: ABAS3016 HD			LOCK STILE: ABAS3012		
RAIL (TOP/BOTTOM): ABAS3002			FRAME TOP: ABAS3003 DOUBLE		
FRAME JAMB: ABAS3005 DOUBLE			FRAME SILL: ABAS3017 DOUBLE		
DOOR STEP: ABAS3001			DOOR STEP: ABAS3001		

PERFORMANCE, SANS613

- SANS613 A3 (2000pa) performance rating.
- A1 for doors on standard track (40mm).
- A2 for OX doors built on Box track (70mm).
- A2 for XX Windows built on box track.
- A3 for OX Windows built on box track.

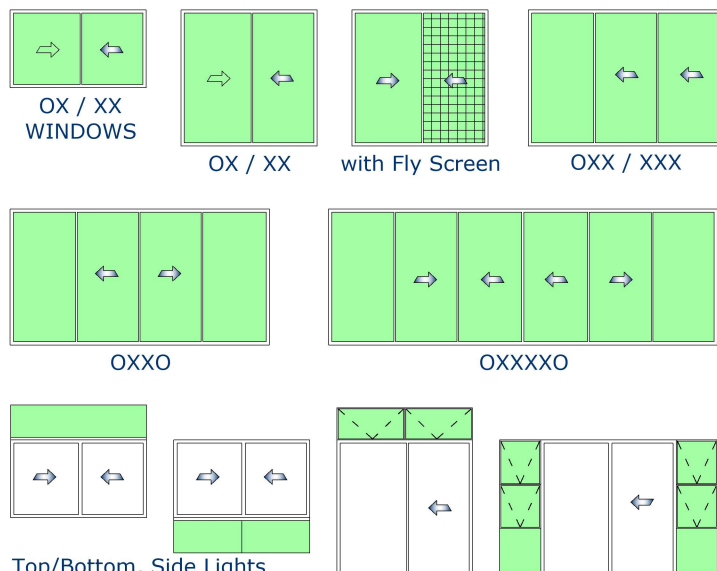
GLASS & GLAZING

- 6mm single glazing to 24mm double glazing.
- Energy efficient sealed glazing units
- Fly screens panels also available.



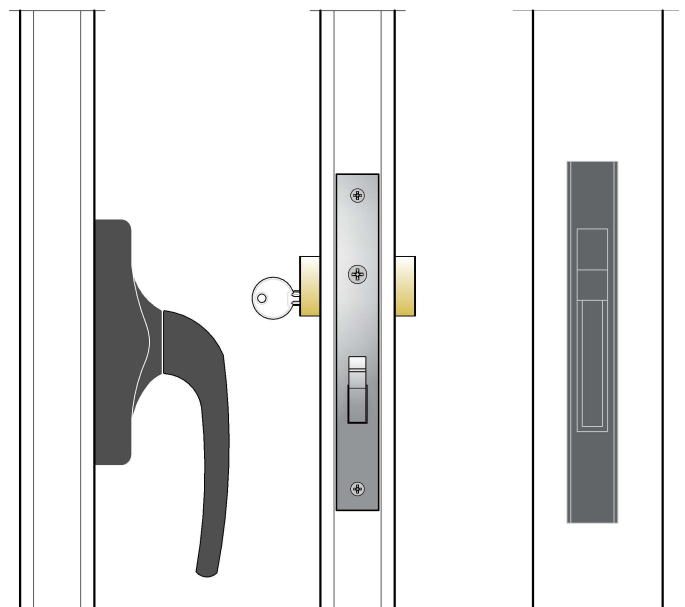
PRODUCT TYPES

- 2 & 4 panel sliders can be constructed on triple track profiles, optional mid-rails.



LOCK OPTIONS

- Multipoint Lock Handle (inside only)
- Keyed Hook Lock
- Flush Lock Handle





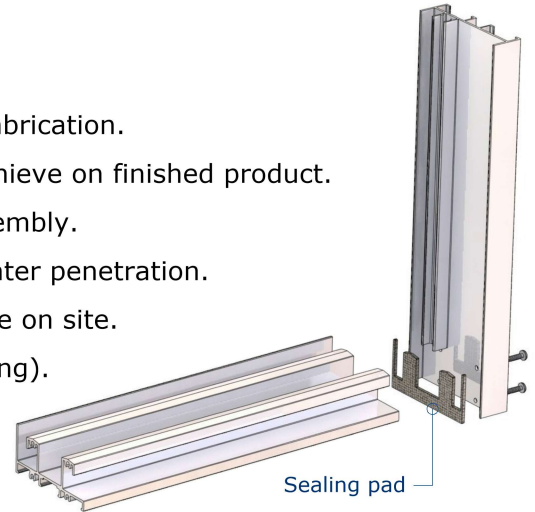
Coastal 900 Slider

- for the Fabricator

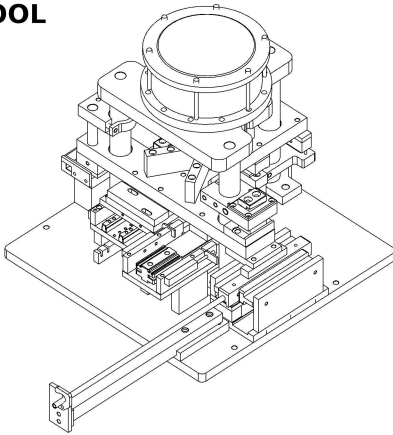


BENEFITS OF COASTAL 900

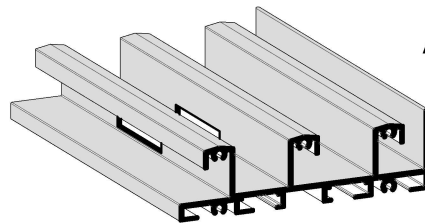
- Pneumatic Punch Tool provides fast fabrication.
- Superior quality & finish is easy to achieve on finished product.
- All square cut profiles with screw assembly.
- Joint sealing pads protects against water penetration.
- Adjustable rollers allow correct closure on site.
- All lock points adjustable (no machining).



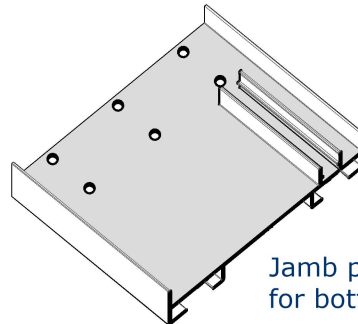
PNEUMATIC PUNCH TOOL



- Easy, quick punching.
- Increased productivity.
- Cost-effective.
- Reduces wastage & incorrect machining.

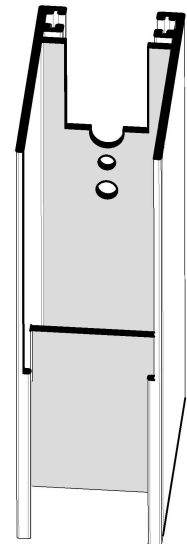


Track drainage



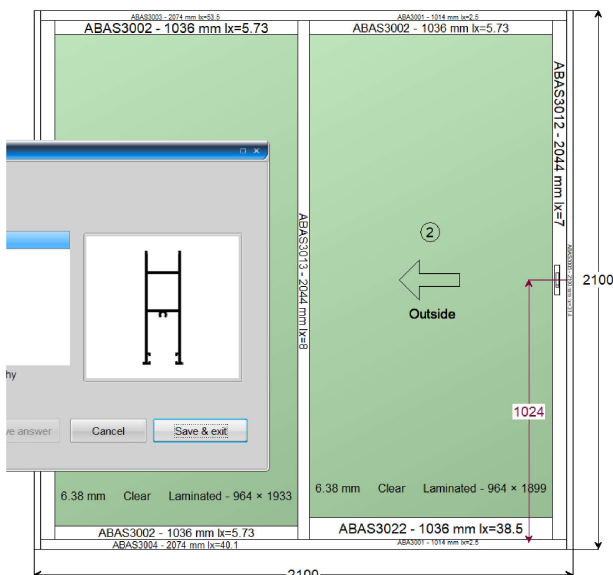
Jamb punching - for bottom track

ACCURATE RESULTS (incl holes)

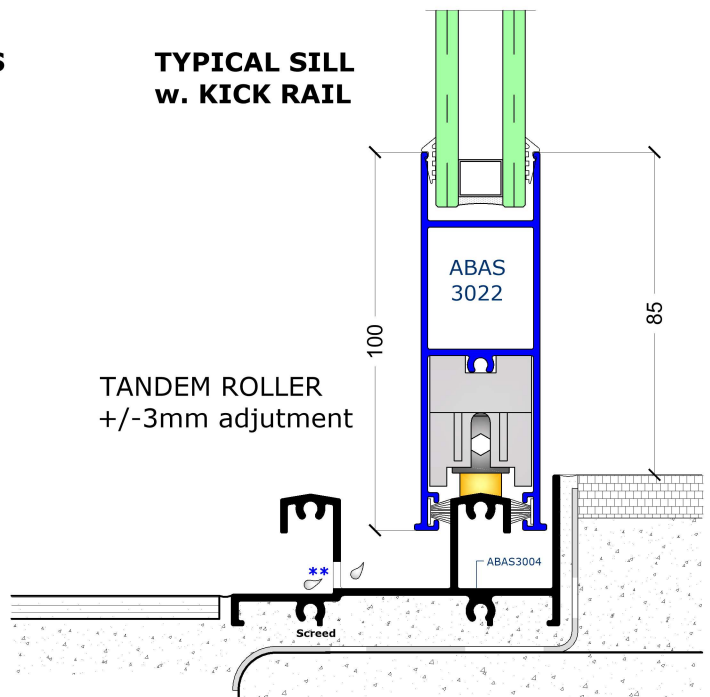


Interlock and Lock Stile punching - for Top / Bottom Rail

QUICK QUOTATIONS WITH SOFTWARE FROM HBS



TYPICAL SILL w. KICK RAIL



REASONS WHY ARCHITECTS, FABRICATORS AND HOME OWNERS LOVE COASTAL 900

1. TESTED TO THE LIMIT

Compliance to SANS613 A3 performance class allows it to be specified and installed in South Africa and regionally. Every system from HBS is tested to its limits for your peace of mind.

2. SIMPLE AND DURABLE PRODUCTS

Our sections allow for effortless and long lasting products, of various sliding window and door types, superior to competing products.

3. QUICKER FABRICATION

Quality assured precision punching makes machining and fabrication up to 10 times faster and more cost effective.

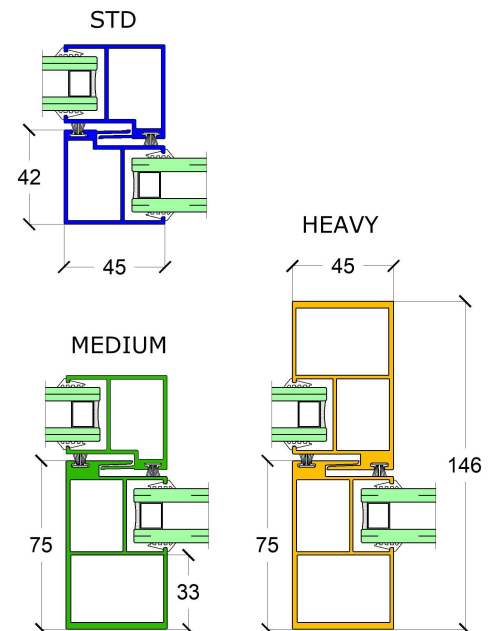
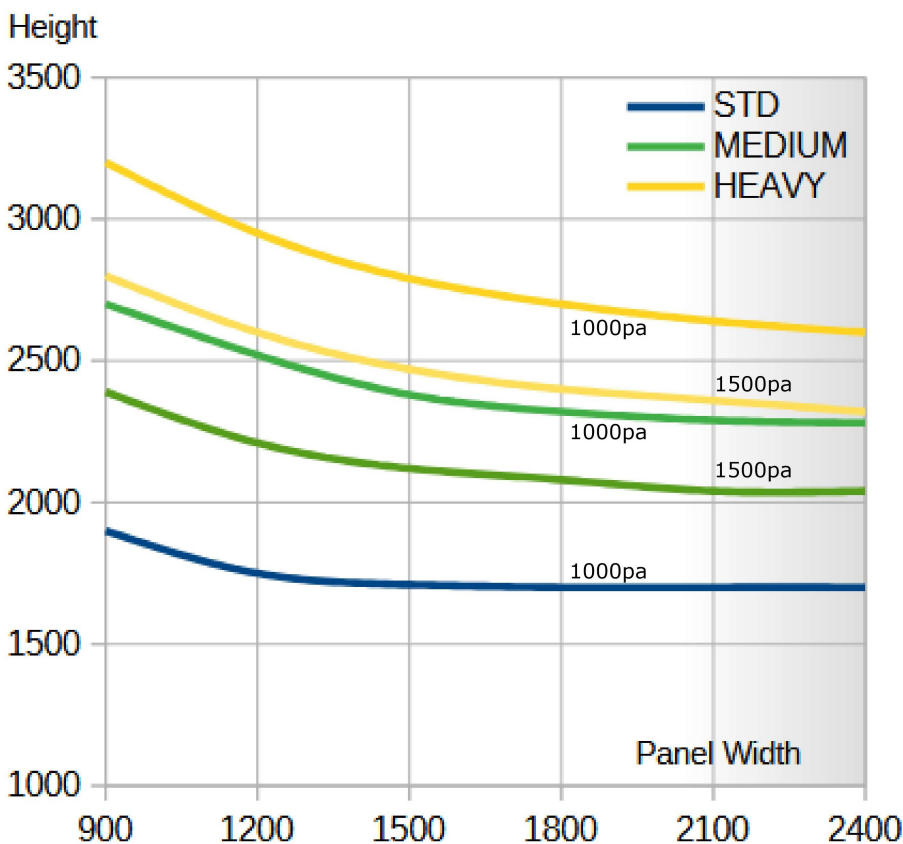
4. LOCALLY STOCKED & SUPPORTED

All Coastal 900 profiles and hardware are available off the shelf, so no extended lead times.

Place the order, choose the colour and you will be fabricating and installing in no time.

5. STRONGER INTERLOCKS FOR L/175 COMPLIANCE

New interlocks allow larger door panels in Coastal conditions. Refer to chart below please.



HBS

ALUMINIUM SYSTEMS