

EXTRA STRENGTH CURTAIN WALL



Advantage is the ultimate curtain wall, simple to fabricate and with mullions up to 450mm, the extra strength gives fabricators the advantage.

HBS
ALUMINIUM SYSTEMS



Advantage Curtain Wall

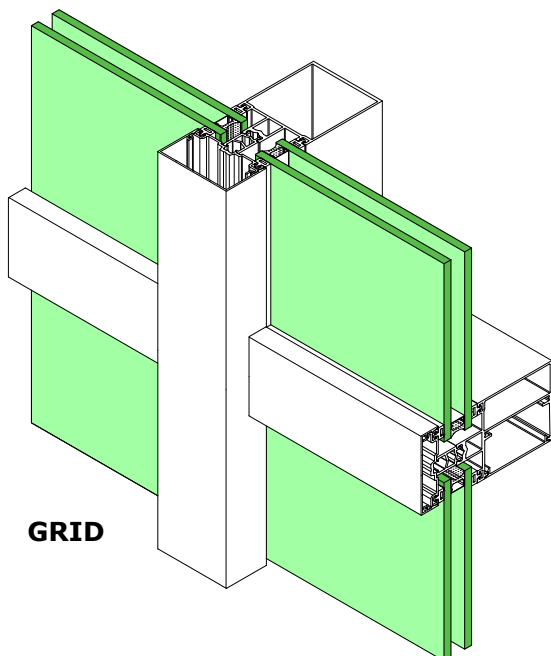
- for the Architect

THE ULTIMATE CURTAIN WALL SYSTEM

- Pressure plate or Flush glazing appearance.
- A4 performance to SANS613 (2500pa)
- 60mm sight lines for mullions & transoms.
- Thermal break for acoustic & thermal qualities.
- Supplied complete w. mounting brackets.
- Inserts - windows, doors, sliding doors, Tilt & turn.
- Sun control available for grid and frame-less.
- Tested for Commercial and Hi-rise application.

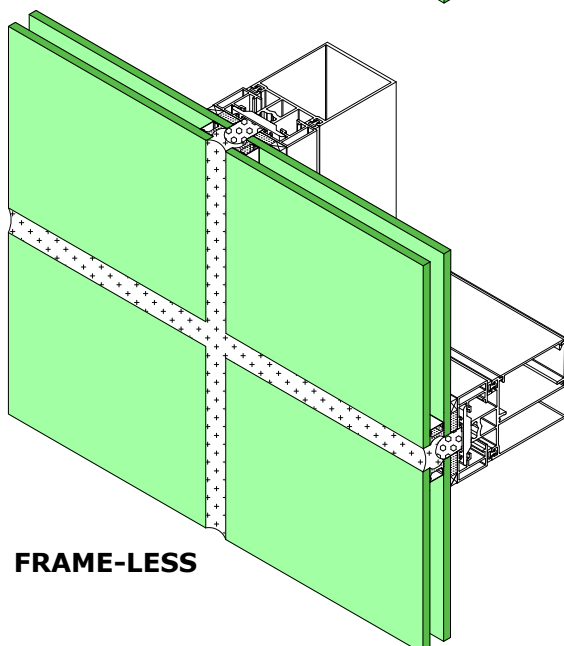
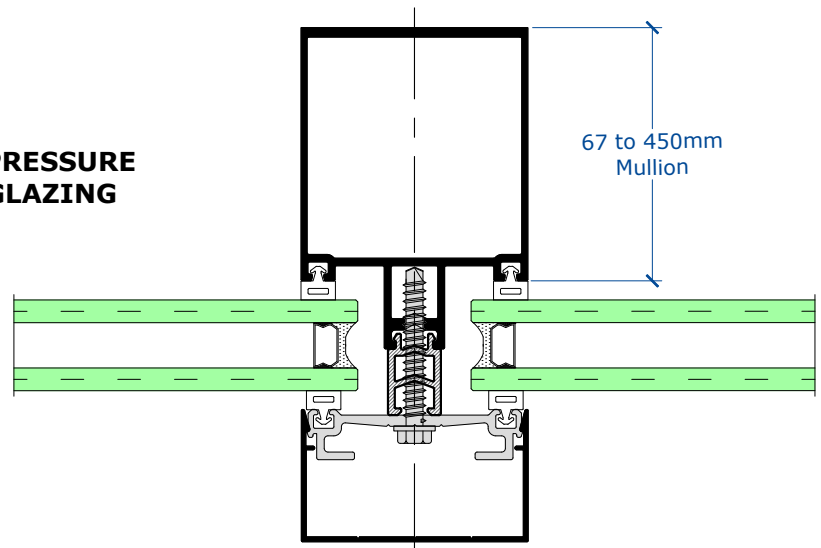


Standard Bank, Windhoek, Namibia.



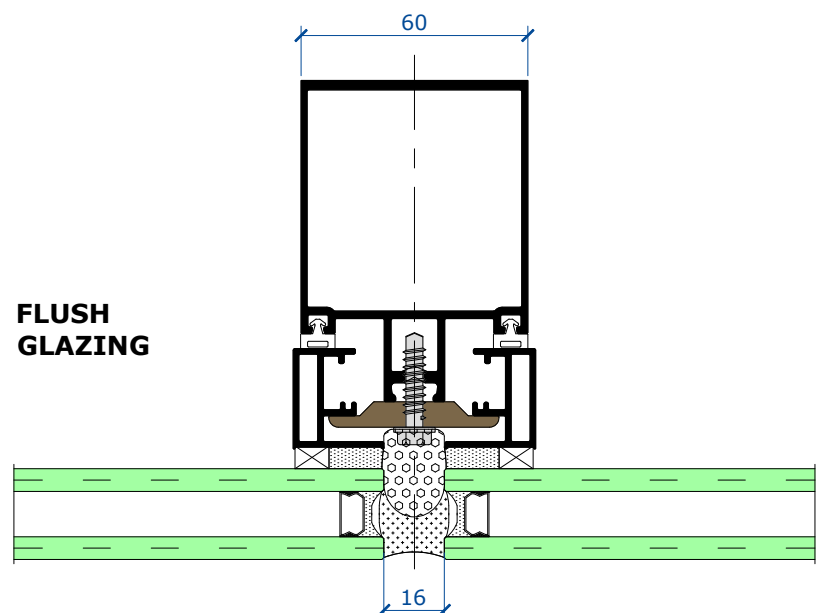
GRID

**PRESSURE
GLAZING**



FRAME-LESS

**FLUSH
GLAZING**



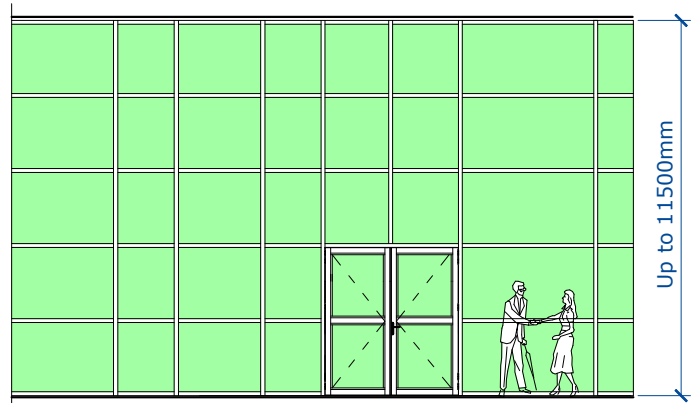


Advantage Curtain Wall

- for the Fabricator

THE STRONGEST & SIMPLEST CURTAIN WALL

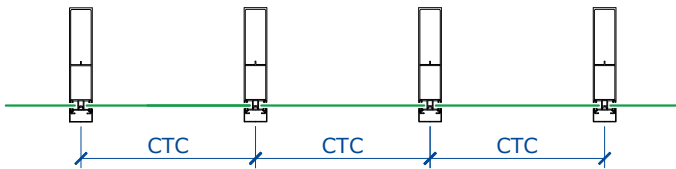
- Mullions: 67-450mm - Transoms: 48-250mm.
- Square cut transoms - no machining.
- Sealing pads for transom joints - no silicone.
- One glazing gasket keeps it simple.
- Pneumatic punch & mullion drill jig - no CNC req.
- Glazing from 4-30mm or thicker on request.
- Spandrel panel and non-vision panels as required.



CONSTRUCTION OPTIONS

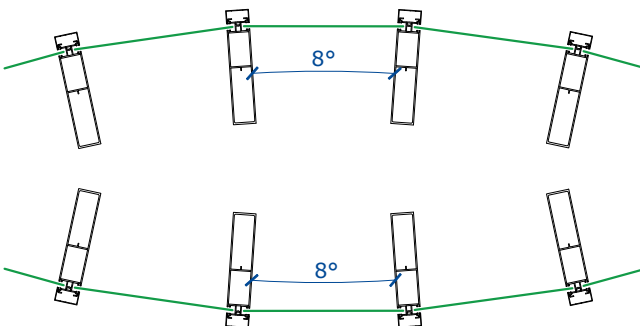
• Flat screens

(with or without compensation)

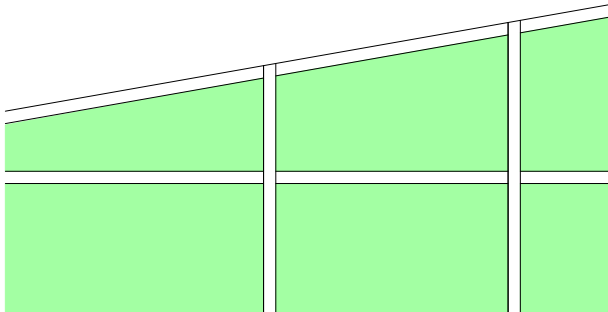


• Curved, segmented screens

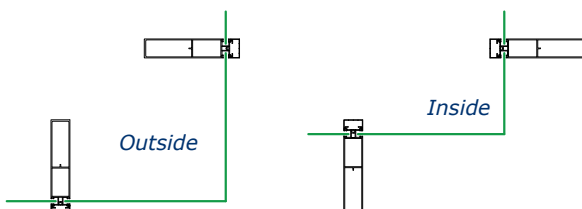
(Max +/-8deg per mullion)



• Sloping frame top & transoms

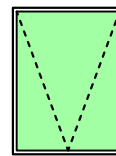


• Glass Corners

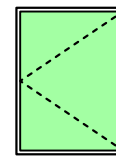


INSERTS - DOORS, WINDOWS & LOUVRES

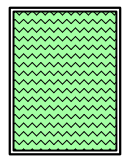
• Sash & door inserts



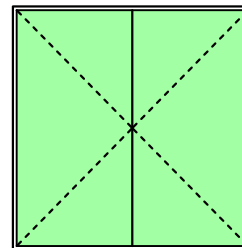
Top Hung



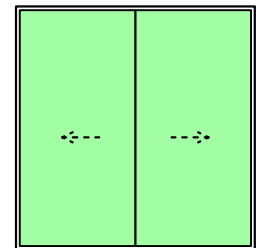
Side hung



Spandrel Panel

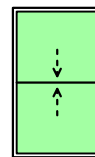


Double Door



Sliding Doors
Galaxy-Lift&Slide, Coastal.

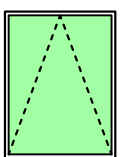
• Product inserts



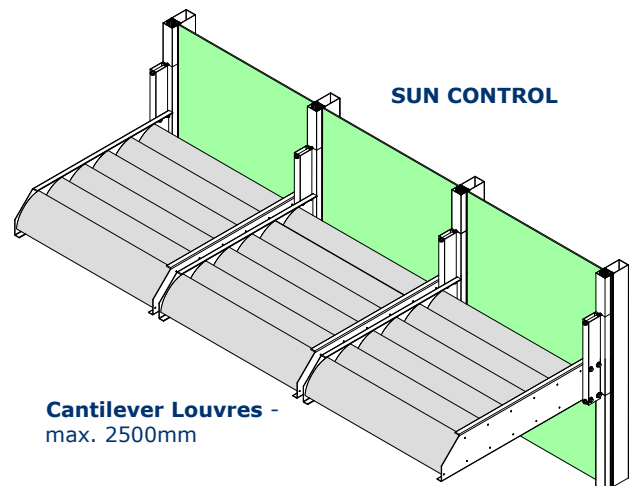
Vertical
Slider



Tilt & Turn



Tilt Only



REASONS WHY ARCHITECTS, FABRICATORS AND HOME OWNERS LOVE ADVANTAGE CURTAIN WALL

1. HIGH PERFORMANCE CURTAIN WALL SYSTEM

A4 rated and extensively tested, our single or double glazed curtain wall systems are robust and offer excellent thermal and acoustic performance. With profiles of up to 450mm and 11,5m free span mullions Advantage is the ultimate curtain wall for Pressure & Flush Glazing.

2. SIMPLICITY

All square cut profiles, no notching on mullions and transoms. No joint sealant and pre-drilled pressure plates allow for fast installation. Optional pneumatic punching reliably produces top quality, easy and quick fabrication.

3. COST EFFECTIVE

Advantage offers profiles to suit all structural requirements. 67-450mm mullions and 65-250mm transoms. This allows for the most cost effective structure in all cases.

4. LOCALLY STOCKED & SUPPORTED

Advantage profiles and hardware are available off the shelf so no extended lead times. Place the order, choose the colour and you will be fabricating and installing in no time.

5. AVAILABLE IN QUICK QUOTE

Custom curtain wall designs can be quoted in Quick Quote including glass corners for multi-storey high-rise buildings. Material Orders, Cutting Lists, CAD Shop Drawings and Project Costings can be generated including all brackets and hardware required.