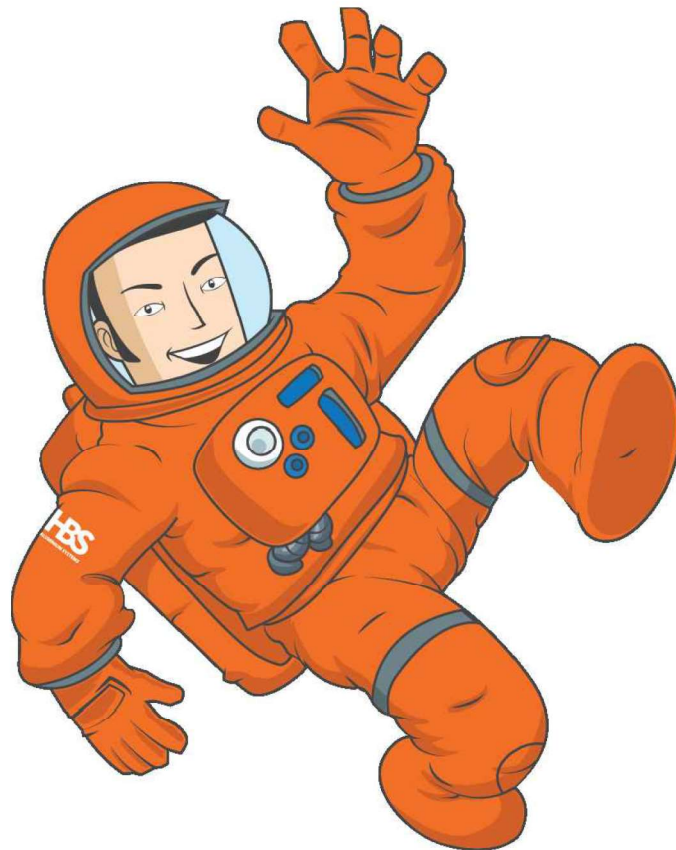


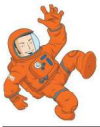
DISCOVER A BRAND NEW GALAXY



The new improved Galaxy sliding door has new interlocks, a bigger track, deeper jamb and large self-centering wheels which gives you a door that slides beautifully.

It's a brand new galaxy.

HBS
ALUMINIUM SYSTEMS



Galaxy Slider



- for the Architect

FEATURES

- 2000mm x 3000mm recommended max. panel size.
- 140-300kg panel weight depending on roller.
- Number of panels 2,3,4,6, and multi-slider.
- Up to A3 2000Pa performance, coastal or inland.
- 6-32mm Single or Double Glazing.
- Side & Top lights; 90 deg. corners.
- Sash ventilation into panels/side lights;
- Slim-line interlocks 40mm or bigger.
- Low noise design due to rubber seals on interlocks.
- Double hook lock w. keyed locking for high security.

**Accredited Laboratory
Test Certificate**

SANS 613:2011

DATE OF ISSUE: **2017/10/10**

THIS CERTIFICATE RECORDS THE SUCCESSFUL TESTING OF THE TEST SAMPLE INDICATED BELOW IN ACCORDANCE WITH SOUTH AFRICAN FENESTRATION PRODUCT STANDARD SANS613:2011 excl. par. 5.7

A3 PERFORMANCE CLASS	MANUFACTURER: HBS Aluminium Systems	WATER PRESSURE: 400 [PA]
	TEST SAMPLE: GALAXY EXPLORER XO SLIDER	DEFLECTION PRESSURE: 2000 [PA]
	SYSTEM SUPPLIER: HBS Aluminium Systems	STRUCTURAL PRESSURE: 3000 [PA]
	TEST NUMBER: HBS17/16	AIR INFILTRATION: 0.151 [L/sec/m²]

TEST SAMPLE DETAILS: Galaxy Slider with Explorer doors

TEST SAMPLE ELEVATION:

DESCRIPTION: Galaxy Slider with Explorer doors

DRAWING NAME: HBS17/16 GA EXP XO

NO. OF PAGES: 16

PROFILES USED ON TEST SAMPLE (CODE & DESCRIPTION):

INTERLOCK: AB187

STIFFENER: AB182 x 2

FRAME SILL: AB192

FRAME TOP: AB195

FRAME JAMB: AB186

TRACK: AB193

DOORSTEP: AB185

LOCK STILE: AB6021

PANEL STILE: AB6011

JAMB: AB194

BOTTOM RAIL: AB6012

MID RAIL: AB6013

GLASS USED ON TEST SAMPLE (DESCRIPTION & THICKNESS):

GLASS TYPE 1: 8.38mm LAMINATED

(maximum performance)

SYSTEM CONCEPT

Explorer, Window Wall & Shopfront panels can be used in common Galaxy outer framework.

Select the appropriate panel type to suit application, performance and opening sash types required.

- 45mm panel thickness set into 60, 120, 180mm outer frames with 1, 2 & 3 tracks respectively.
- 40, 65, 85mm width interlock and lock stiles and 65 or 85mm wide meeting stiles.
- Add-on stiffeners can be applied as required to comply with L/175.

	SHOPFRONT	WINDOW WALL	EXPLORER
Application	Commercial Retail Internal installation	Commercial, High Performance External/internal	High-End Domestic & Hi-Rise External/internal, High Security
SANS 613 Performance	Up to A1 - 1000Pa	Up to A2 - 1500Pa	Up to A3 - 2000Pa
Glazing	External 	External 	Internal

PRODUCT TYPES

OX / XX

OXXO

OXX

OXXXXO / XXXXXX

outside
Corners

inside
Corners

Top lights

Side lights

Sash inserts
(WW only)

(TT, TO, Hinged)

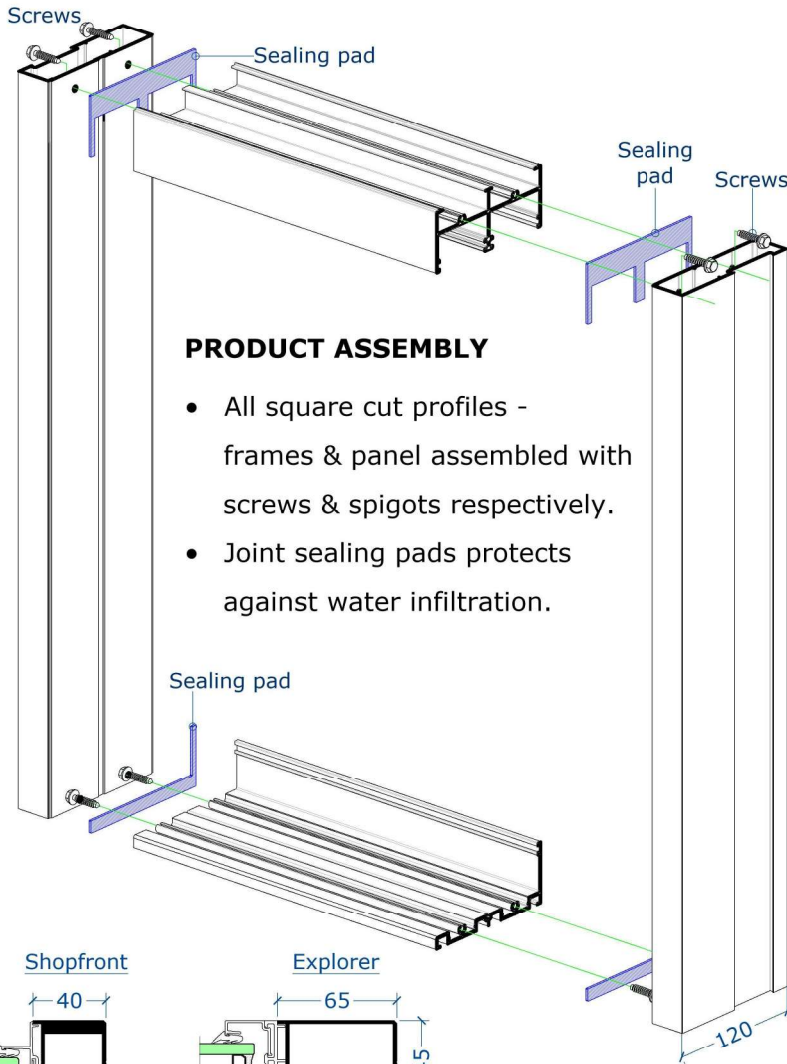
Cavity Sliders

X
XX
XXX
XX | XX
XXX | XXX



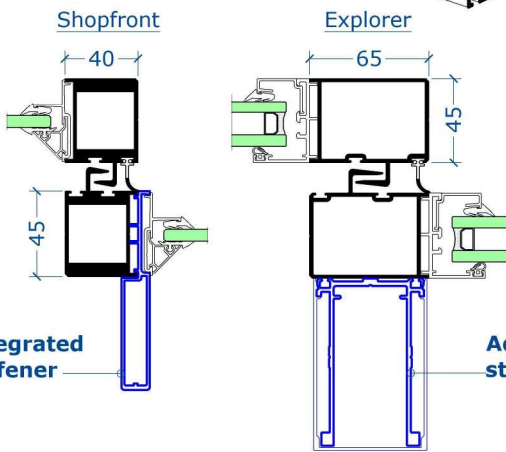
Galaxy Slider

- for the Fabricator



PRODUCT ASSEMBLY

- All square cut profiles - frames & panel assembled with screws & spigots respectively.
- Joint sealing pads protects against water infiltration.

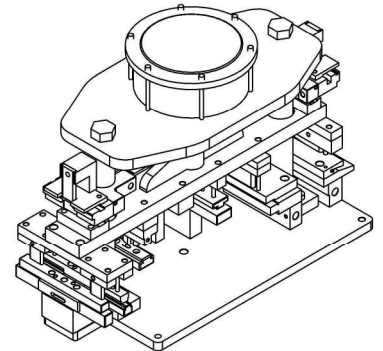


- Integrated or add-on panel stiffeners to comply with L/175.
- Optional steel box insert 38x76mm.

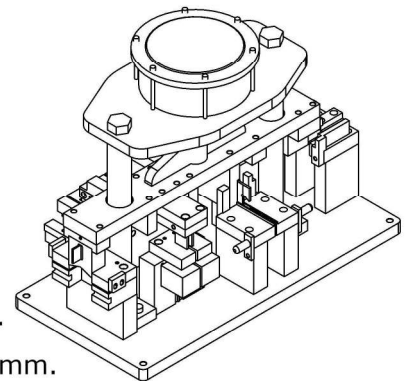
PRECISION FABRICATION

- Pneumatic punching provides excellent fit & finish.
- 5-10 times faster than machining.
- Increased productivity.
- Reduces wastage due to incorrect machining.

Explorer Punch Tool



Window Wall/Shopfront Punch Tool

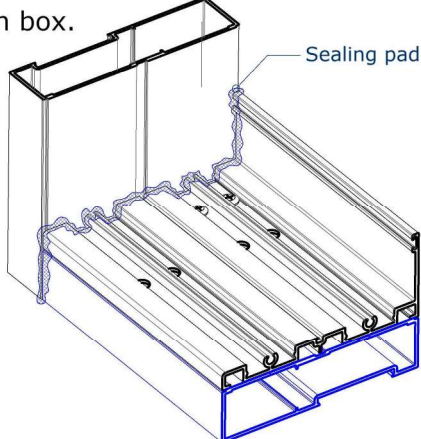


SELF-ALIGNING ROLLERS

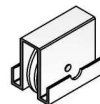
- Long service life rollers for smooth sliding action.

- Optional under track

Drain box.



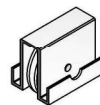
56mm Roller
70kg each



x2



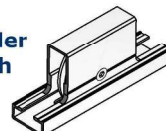
56mm Roller
70kg each



x4



70mm Roller
150kg each



x2



REASONS WHY ARCHITECTS, FABRICATORS AND HOME OWNERS LOVE GALAXY SLIDERS

1. MOST FLEXIBLE SLIDING DOOR SYSTEM

With numerous panel systems and track options Galaxy Sliders will suit any situation or requirement in Domestic & Commercial buildings and projects.

2. TESTED TO THE LIMIT

Galaxy Sliders are tested to comprehensively in compliance with SANS613:2011 National Test Standard. A1, A2 and A3 performance allows it to be installed in South Africa and regionally.

Every system from HBS is tested to its limits for your peace of mind.

3. SIMPLE AND DURABLE PRODUCTS

Our profiles allow for effortless and long lasting products with self-aligning wheels and rollers designed specifically for Galaxy Sliding doors. Replaceable tracks allow for high-traffic use in commercial environments.

EPDM rubber blocks and Interlock seals provide class leading low air-infiltration to minimize wind noise at the coast.

4. QUICKER FABRICATION & FLEXIBLE INSTALLATION

Pneumatic punching tools ensure precision fabrication up to 10 times faster and more cost effective than other systems.

Product finish and weather resistance benefits hugely from accurate assembly.

5. LOCALLY STOCKED & SUPPORTED

All Galaxy profiles and hardware are available off the shelf, so no extended lead times. Place the order, choose the colour and you will be fabricating and installing in no time.

