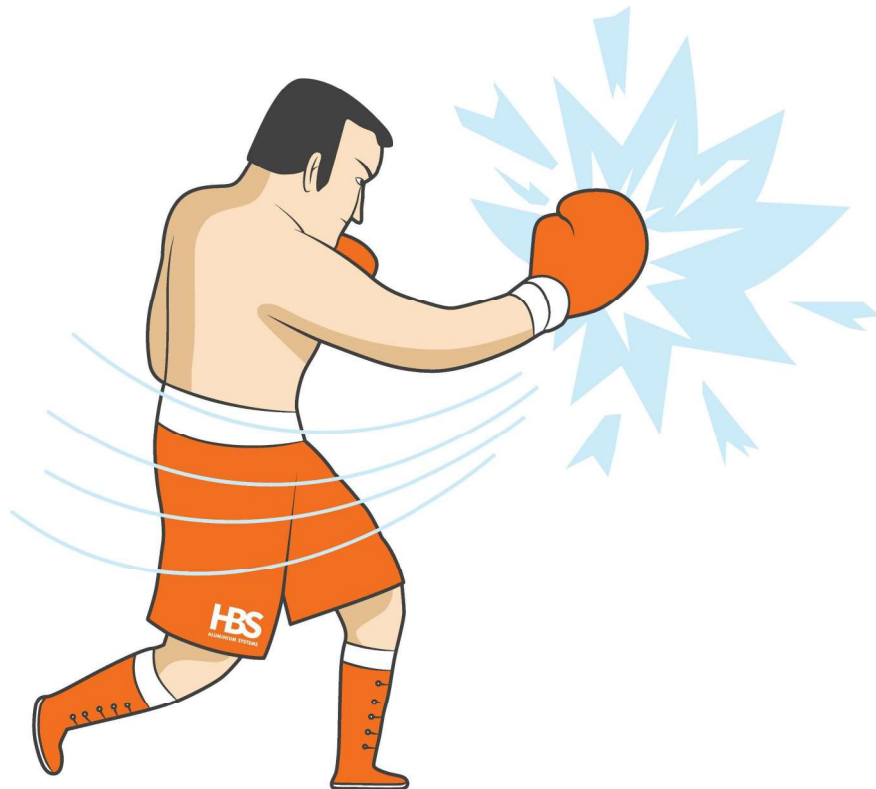


# KNOCKOUT PUNCH 900



Fabricate sliding doors and windows  
in record time with Coastal pneumatic  
punching tools, a lightning fast  
knockout punch.

**HBS**  
ALUMINIUM SYSTEMS



# Coastal 900 Slider

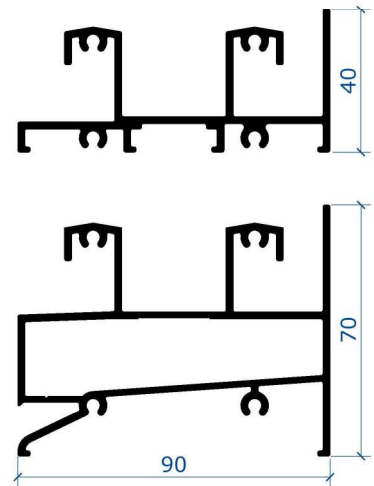


- for the Architect

## HIGH PERFORMANCE SLIDING WINDOW & DOOR SYSTEM

35mm thick panels set on 90 or 135mm framework.

- A3 maximum performance allows for Coastal & Inland application.
- 2 and 3 track Sliding Windows & Doors up to 2800mm high.
- Single & Double Glazing up to 24mm.
- Multi point Lock handle, Hook lock or Flush Lock handle.
- Cover caps provide superior quality and finish.



**Accredited Laboratory  
Test Certificate**

**SANS 613:2011**

THIS CERTIFICATE RECORDS THE SUCCESSFUL TESTING OF THE TEST SAMPLE INDICATED BELOW IN ACCORDANCE WITH SOUTH AFRICAN FENESTRATION PRODUCT STANDARD SANS613:2011 excl. par. 5.7

<b>A3</b>	MANUFACTURER: <b>HBS ALUMINIUM SYSTEMS</b>	WATER PRESSURE: <b>400 [PA]</b>	DATE OF ISSUE: <b>8 JULY, 2022</b>
PERFORMANCE CLASS	TEST SAMPLE: <b>Coastal 900</b>	DEFLECTION PRESSURE: <b>2000 [PA]</b>	
	SYSTEM SUPPLIER: <b>HBS ALUMINIUM SYSTEMS</b>	STRUCTURAL PRESSURE: <b>3000 [PA]</b>	
	TEST NUMBER: <b>HBS22/05</b>	AIR INFILTRATION: <b>1.446 [L/sec/m<sup>2</sup>]</b>	

**TEST SAMPLE DETAILS:** DESCRIPTION: **COASTAL 900 XO SLIDING WINDOW** TEST SAMPLE ELEVATION:

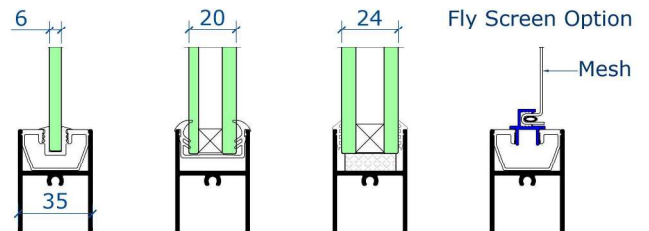
DRAWING NAME: <b>HBS22/05 SAMPLE DRAWING</b>	
NO. OF PAGES: <b>16</b>	
<b>PROFILES USED ON TEST SAMPLE (CODE &amp; DESCRIPTION):</b>	
INTERLOCK: <b>ABAS3016 HD</b>	
LOCK STYLE: <b>ABAS3012</b>	
RAIL (TOP/BOTTOM): <b>ABAS3002</b>	
FRAME TOP: <b>ABAS3003 DOUBLE</b>	
FRAME JAMB: <b>ABAS3005 DOUBLE</b>	
FRAME SILL: <b>ABAS3017 DOUBLE</b>	
DOOR STEP: <b>ABAS3001</b>	

## PERFORMANCE, SANS613

- SANS613 A3 (2000pa) performance rating.
- A1 for doors on standard track (40mm).
- A2 for OX doors built on Box track (70mm).
- A2 for XX Windows built on box track.
- A3 for OX Windows built on box track.

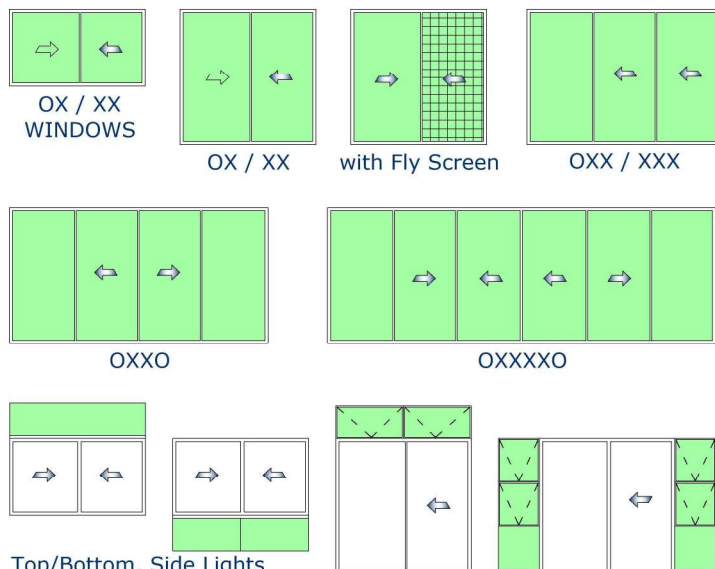
## GLASS & GLAZING

- 4-24mm single or double glazing.
- Energy efficient sealed glazing units can be used where required.
- Fly screens are possible with Fly screen Bar.



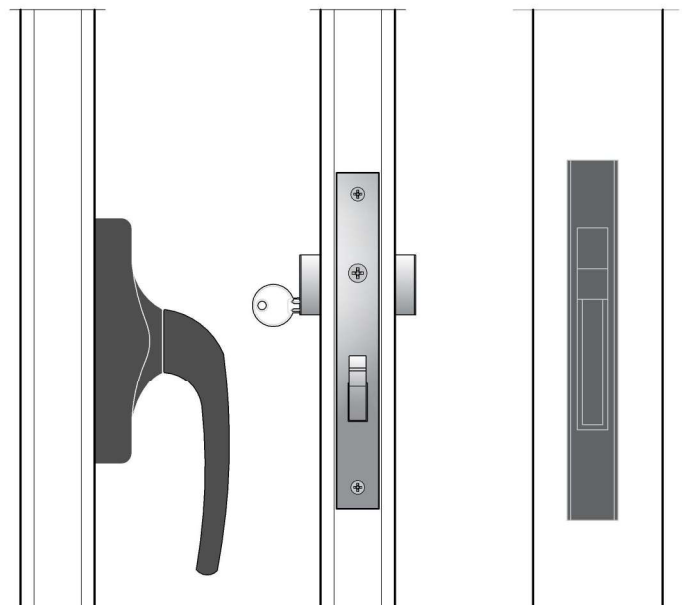
## PRODUCT TYPES

- 2 & 4 panel sliders can be constructed on triple track profiles, optional mid-rails.



## LOCK OPTIONS

- Multipoint Lock Handle (inside only)
- Hook Lock
- Flush Lock Handle





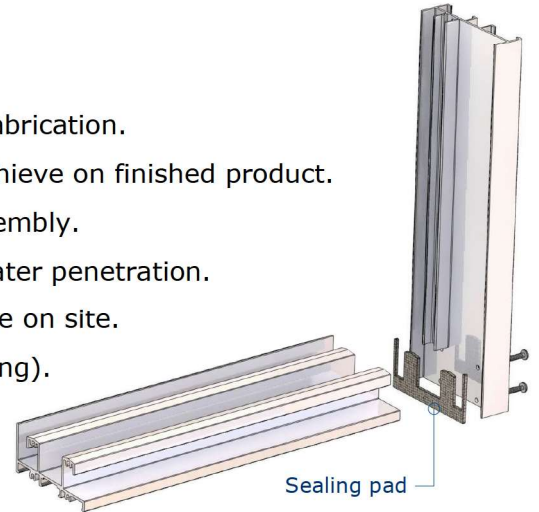
# Coastal 900 Slider

- for the Fabricator

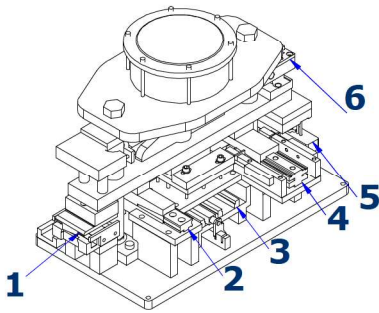


## BENEFITS OF COASTAL 900

- Pneumatic Punch Tool provides fast fabrication.
- Superior quality & finish is easy to achieve on finished product.
- All square cut profiles with screw assembly.
- Joint sealing pads protects against water penetration.
- Adjustable rollers allow correct closure on site.
- All lock points adjustable (no machining).

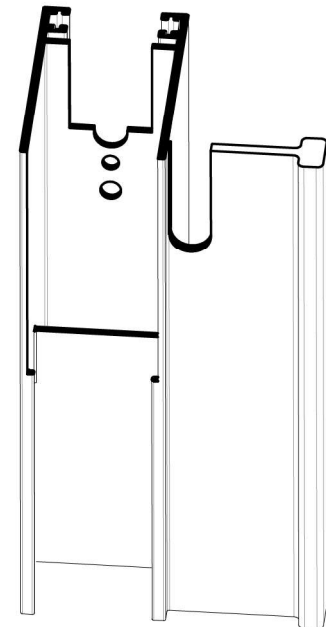
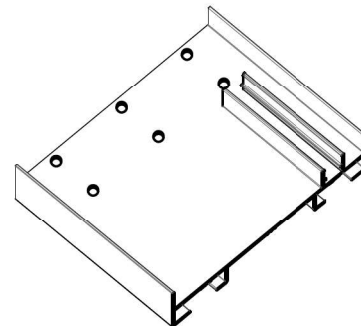
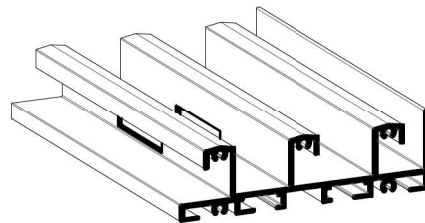


## PRECISION FABRICATION



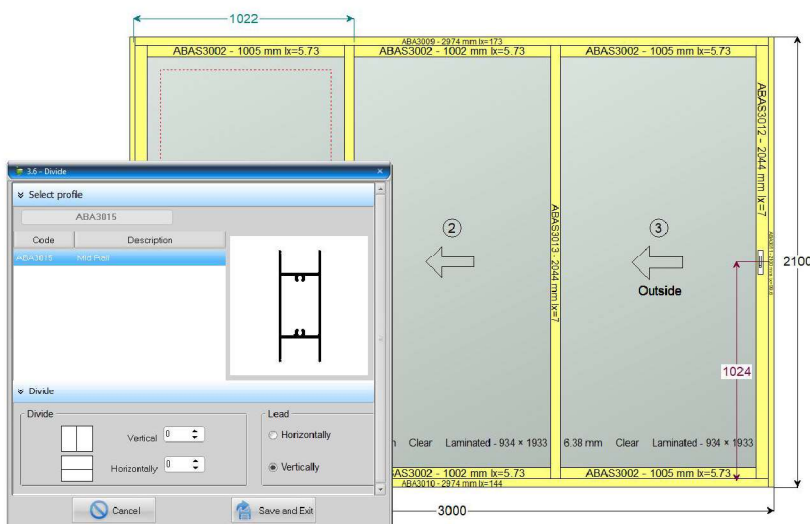
- Easy, quick punching.
- Increased productivity.
- Cost-effective.
- Reduces wastage & incorrect machining.

## ACCURATE RESULTS (incl holes)



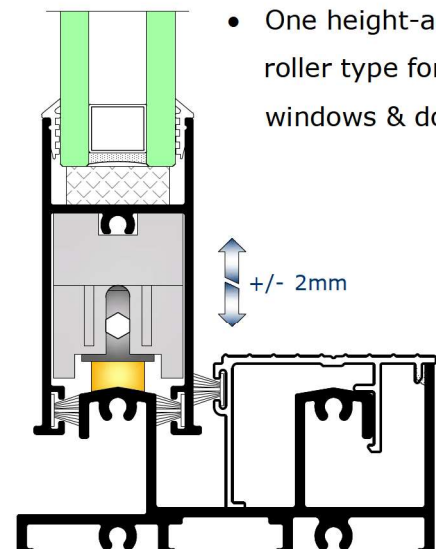
## INTEGRATED IN QUICK QUOTE SOFTWARE FROM HBS

- Easy costing & pricing.
- Generates shop drawings & cutting lists.



## ADJUSTABLE ROLLERS

- One height-adjustable roller type for windows & doors.





# REASONS WHY ARCHITECTS, FABRICATORS AND HOME OWNERS LOVE COASTAL 900

## 1. TESTED TO THE LIMIT

Compliance to SANS613 A3 performance class allows it to be specified and installed in South Africa and regionally. Every system from HBS is tested to its limits for your peace of mind.

## 2. SIMPLE AND DURABLE PRODUCTS

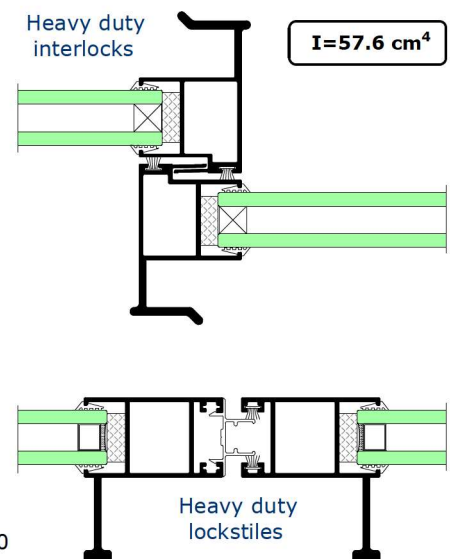
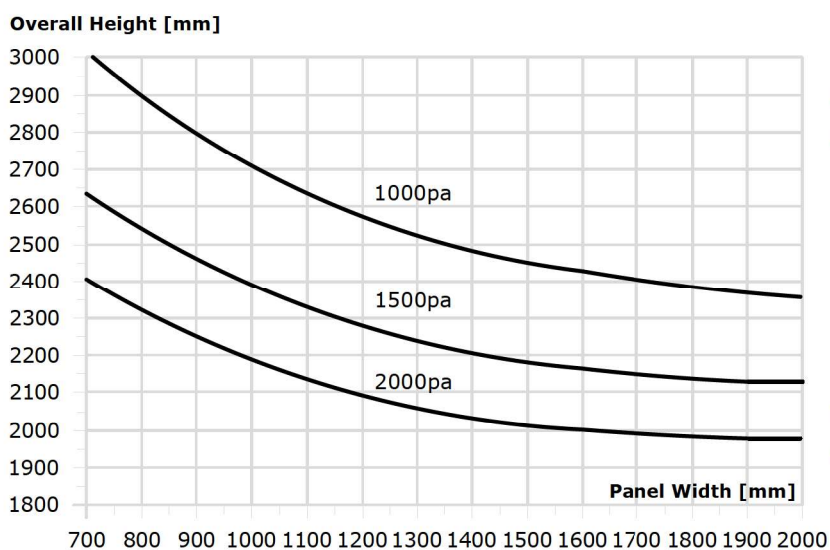
Our sections allow for effortless and long lasting products, of various sliding window and door types, superior to competing products.

## 3. QUICKER FABRICATION & FLEXIBLE INSTALLATION

Quality assured precision punching, makes machining and fabrication up to 10 times faster, and more cost effective. Easy installation.

## 4. LOCALLY STOCKED & SUPPORTED

All Coastal 900 profiles and hardware are available off the shelf, so no extended lead times. Place the order, choose the colour and you will be fabricating and installing in no time.



**HBS**  
ALUMINIUM SYSTEMS