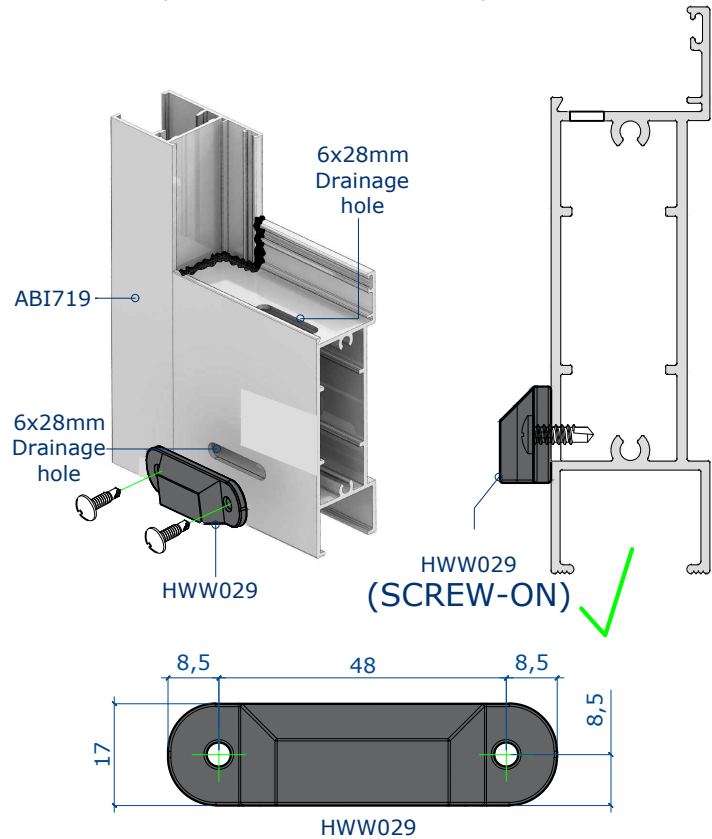


RUBBER WATER CAP (EPDM)

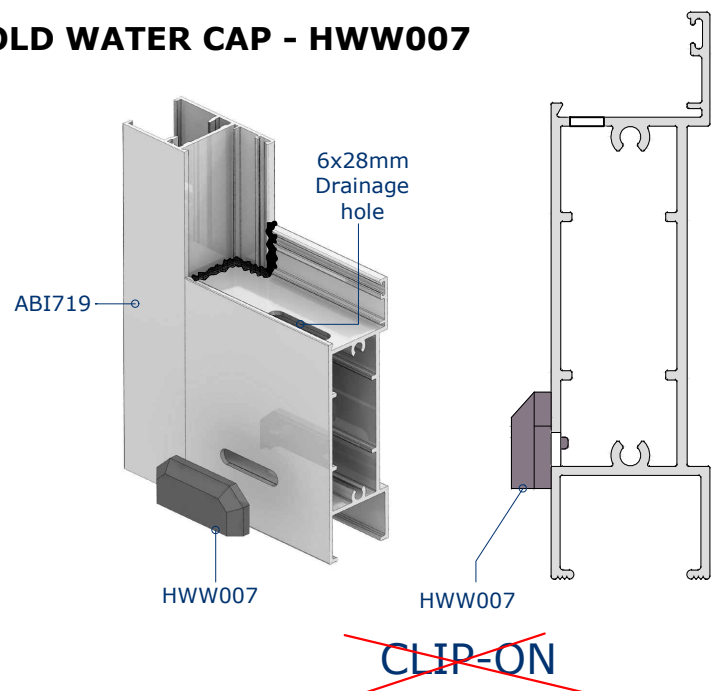
- EXPLORER
- WINDOW WALL
- CASEMENT

HBS WATER CAP (HWW029)

- Strong, durable screw fixing.
- Resistant to the rigors of external window cleaning.
- Made of 100% EPDM material for UV-resistance.
- Compatible with all HBS systems that require drainage cap.
- HWW029 replaces HWW007 which will be phased out.



OLD WATER CAP - HWW007



September 2019
Technical Bulletin

www.hbs.co.za

CAPE TOWN
DURBAN
JOHANNESBURG

021 534-7420
031 564-7350
0861 246-444
0861 AIM HIGHER

HBS
ALUMINIUM SYSTEMS