

NEW DOOR CLOSER - HZ036

INTRODUCING THE NEW DOOR CLOSER

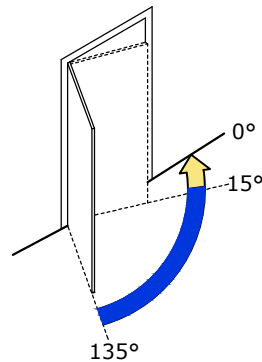
HZ036 RXXX.XX

- 850-1100mm door width.
- 65kg max. door weight.
- 2-speed section.
- 500 000 cycles.
- Non-hold.
- Surface mounted on



Explorer, Shopfront & Window Wall doors.

Opening diagram

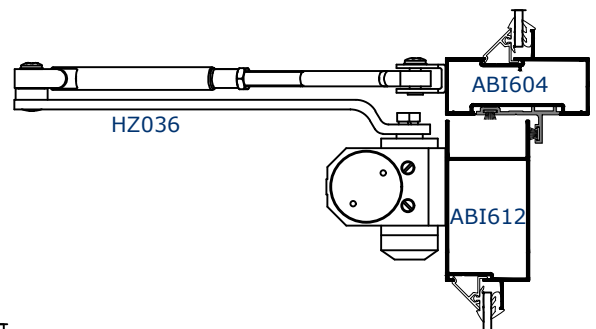


Usage Performance

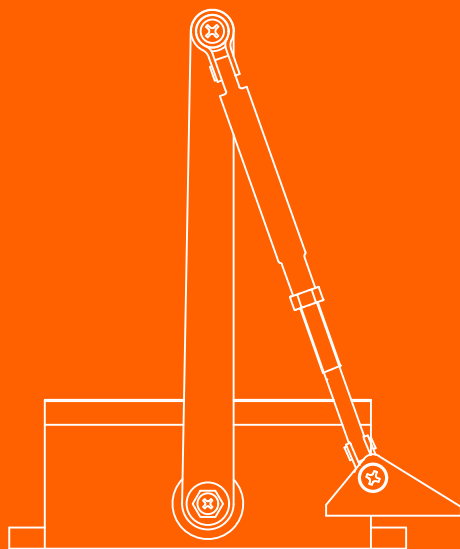
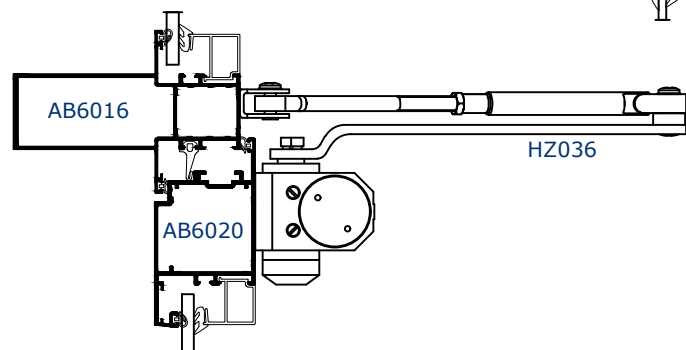
- Speed-section 1 closed
- Speed-section 2 closed

Two-section adjustment of closing:
90°-15° - closing stage
15°-0° - locking stage

Shopfront



Explorer



June 2019
Technical Bulletin

www.hbs.co.za

CAPE TOWN
DURBAN
JOHANNESBURG

021 534-7420
031 564-7350
0861 246-444
0861 AIM HIGHER

HBS
ALUMINIUM SYSTEMS