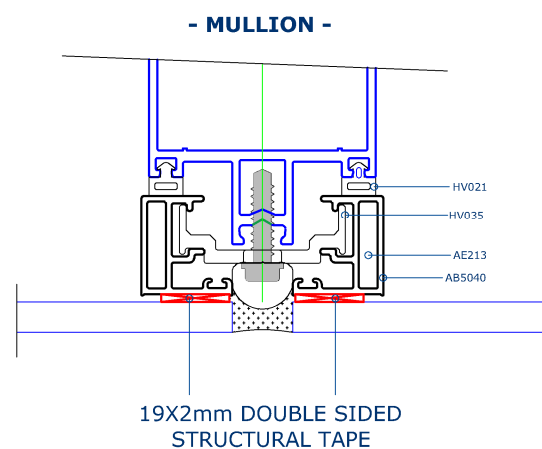
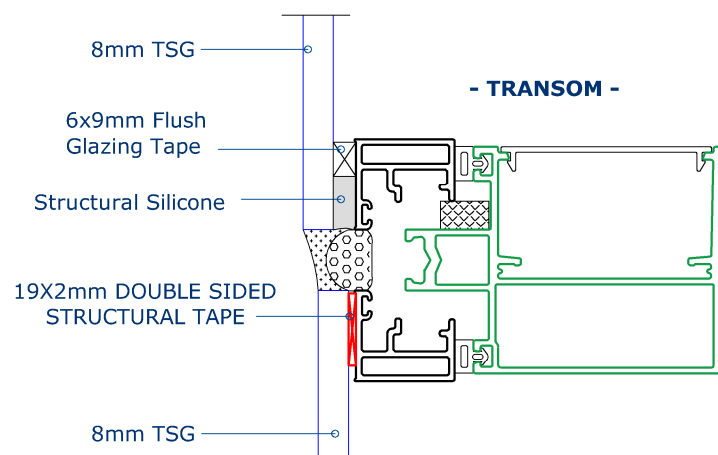


# ADVANTAGE CURTAIN WALL TEST UPDATE

HBS TEST CENTER CONDUCTS SANAS  
ACCREDITED PRODUCT TESTING TO  
SANS613:2011 STANDARD.

GLASS ATTACHMENT WITH STRUCTURAL  
TAPE AND TRADITIONAL SILICONE  
GLAZING WAS COMPARED.

- **A4** PERFORMANCE CLASS WAS  
ACHIEVED WITH TOP HUNG SASHES.  
(HIGHEST CLASS 4-5 HURRICANE)
- **A6** PERFORMANCE CLASS WAS  
ACHIEVED ALL FIXED LIGHTS.



JULY 2019  
Technical Bulletin  
[www.hbs.co.za](http://www.hbs.co.za)

CAPE TOWN 021 534-7420  
DURBAN 031 564-7350  
JOHANNESBURG 0861 246-444  
0861 AIM HIGHER

**HBS**  
ALUMINIUM SYSTEMS

- TEST SAMPLE ELEVATION -

