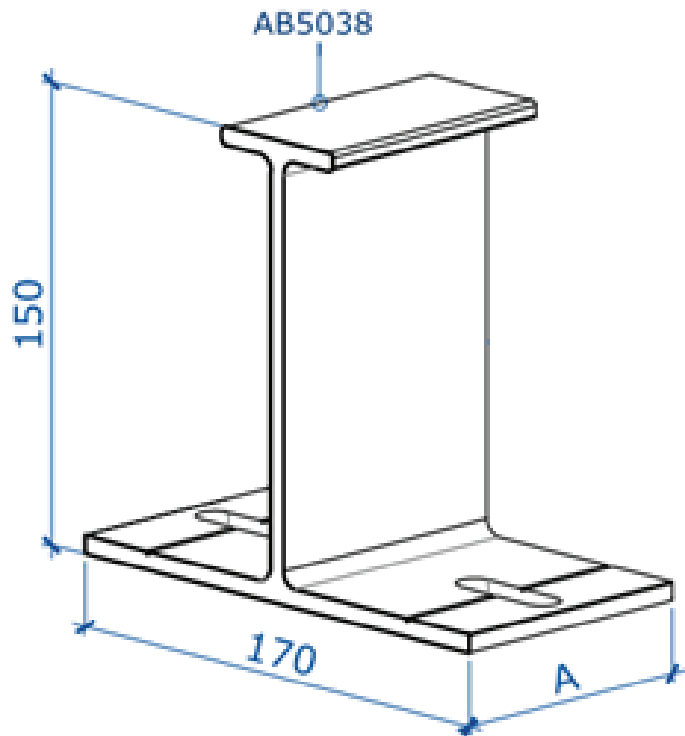


# ADVANTAGE BRACKETS

## Advantage Internal Mullion Fixing Bracket



**Internal mullion brackets are now supplied cut to size:**

- HV051 - 56mm wide
- HV052 - 87mm wide
- HV053 - 109mm wide
- HV054 - 135mm wide

These 4 internal mullion brackets provide fixing for 7 of our Advantage Mullion profiles (67,100,122,152, 200,250, 350mm).



**November 2018  
Technical Bulletin**  
[www.hbs.co.za](http://www.hbs.co.za)

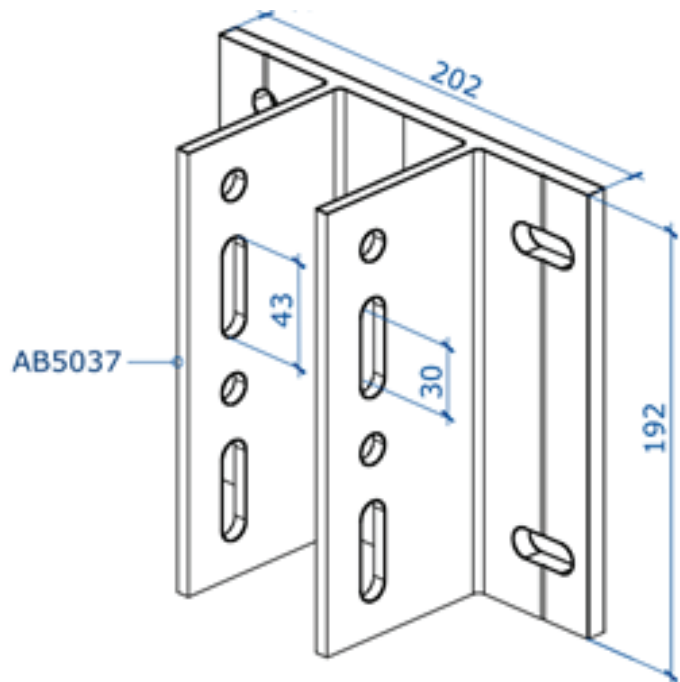
CAPE TOWN  
DURBAN  
JOHANNESBURG

021 534-7420  
031 564-7350  
011 626-3330

**HBS**  
ALUMINIUM SYSTEMS

# ADVANTAGE BRACKETS

## Advantage Slab bracket:



Slab brackets are now supplied cut to size.

- HV050 - 192mm long

Machining on these brackets make it possible to use the brackets as a wind load or dead load bracket.

Please note that the **internal mullion brackets** as well as the **slab brackets** can also be supplied in colour, should you require to do so.

Profiles AB5038(Internal) and AB5037 (Slab) remain available off the shelf in mill for special cases.

# ADVANTAGE BRACKETS

## **Bracket selection in Quick quote:**

Quick Quote has been updated to allocate the correct internal mullion bracket sizes as well as slab brackets when you make the selection in "CW Options".

Visit our website for an extensive range of Technical brochures.