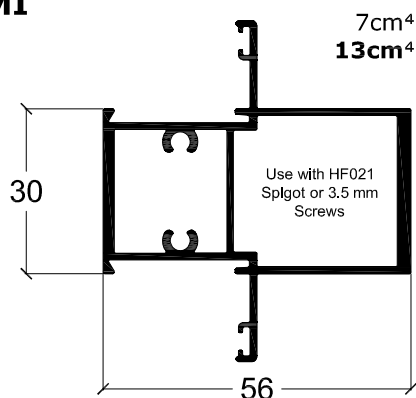


NEW CASEMENT PROFILE NKCAMI-AB391

INTRODUCING THE NEW CASEMENT PROFILE - NKCAMI-AB391

At HBS we are continuously striving to progress our products and in so doing we are introducing the NKCAMI mullion/transom profile (AB391) to replace the NKCAMT (AB581).

NKCAMI
AB391
5,9m



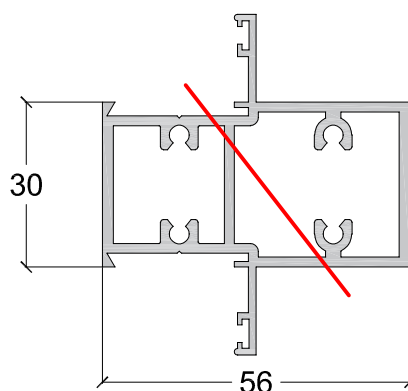
NKCAMI-AB391 is

- 20% cheaper.
- Inertia on par with older profile.
- Supplied in 5.9m stock length.
- Connects with 3.5mm screws or HF021 spigot.
- Integrated in Quick Quote 16 (3718, Nov1 2018).

The NKCAMI -AB391 is interchangeable with the old NKCAMT AB581 profile.



NKCAMT
AB581
6,0m



November 2018
Technical Bulletin

www.hbs.co.za

CAPE TOWN 021 534-7420
DURBAN 031 564-7350
JOHANNESBURG 0861 246-444
0861 AIM HIGHER