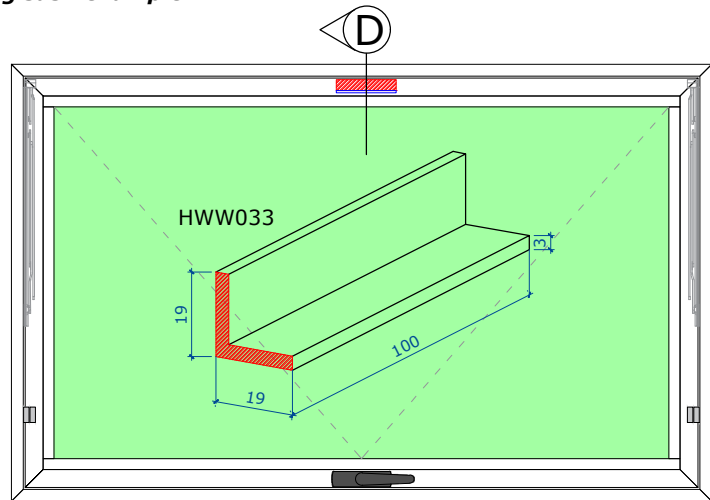


NEW, STRONGER WIND LOCK

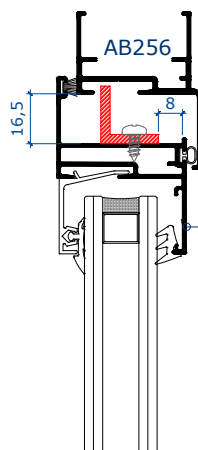
ALTERNATIVE WIND LOCK - HWW033

Top hung sash example

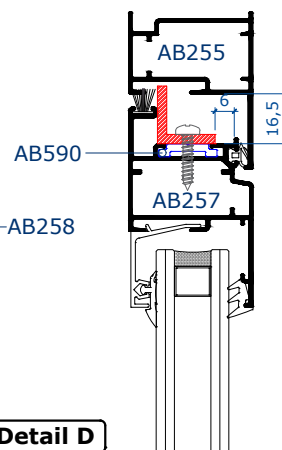


- For Top and Side hung Window Wall and Double Glazing Casement sashes.
- Keeps upper sash profile within deflection limits.
- Tested to A4 performance, +/-2500Pa.
- Single piece component.
- Stronger and more durable.
- Easy & quick installation.
- Alternative to HWW002 plastic wind lock.
- Works with HBS friction stays.

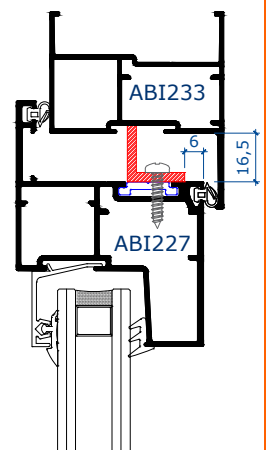
DG Casement Sash AB258



DG Casement Sash AB257



Window Wall Sash ABI227



Detail D

Refer to the latest Window Wall book for further details.



**May 2019
Technical Bulletin**

www.hbs.co.za

CAPE TOWN

DURBAN

JOHANNESBURG

021 534-7420

031 564-7350

0861 246-444

0861 AIM HIGHER

HBS
ALUMINIUM SYSTEMS