

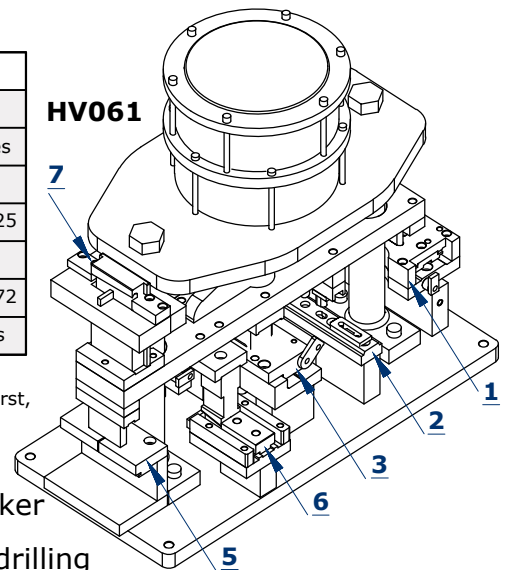
# EASIER, QUICKER FABRICATION - ADVANTAGE PNEUMATIC PUNCH TOOL



## IMPROVE PRODUCTIVITY WITH THE NEW ADVANTAGE PNEUMATIC PUNCH TOOL

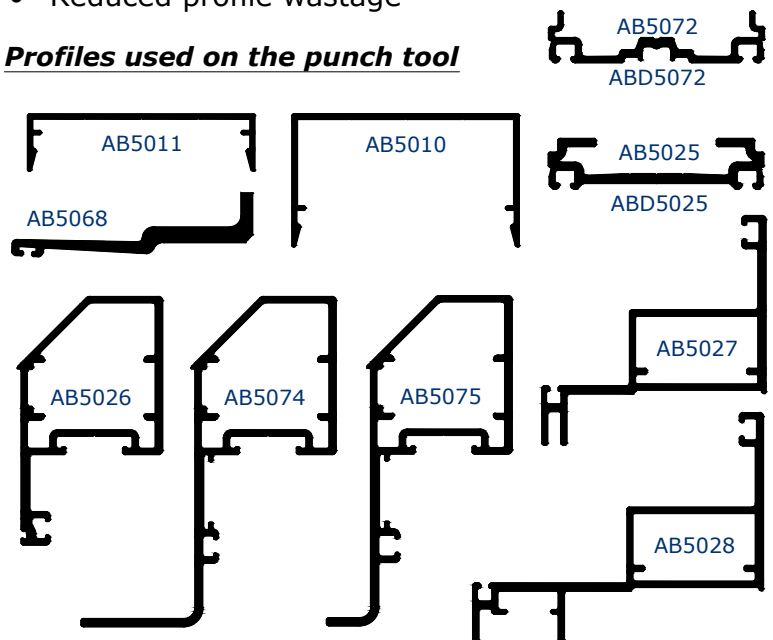
Station	Profiles
<u>1</u>	All Pressure plates
<u>2</u>	Sashes & sash frames
<u>3</u>	Panel support
* <u>4</u>	Pressure plate AB5025
<u>5</u>	Sashes
* <u>6</u>	Pressure plate AB5072
<u>7</u>	Pressure plate covers

**Note**  
\* Punch on stations 4 or 6 first, then punch on station 1.



- 5-10 times quicker than route-ring & drilling
- Cost saving over manual machining
- Consistent quality and accuracy
- Superior product finish
- Reduced assembly time with correctly punched & prepared profiles
- Reduced profile wastage

### Profiles used on the punch tool



- 8 bar working pressure
- Minimum 200 litre tank
- Supplied with foot pedal with shut-off valve
- Only use silicone based lubricants - Not Q20

May 2019  
Technical Bulletin  
[www.hbs.co.za](http://www.hbs.co.za)

CAPE TOWN 021 534-7420  
DURBAN 031 564-7350  
JOHANNESBURG 0861 246-444  
0861 AIM HIGHER

**HBS**  
ALUMINIUM SYSTEMS

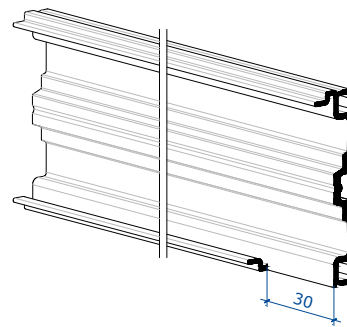
# EASIER, QUICKER FABRICATION - ADVANTAGE PNEUMATIC PUNCH TOOL

## Typical punching results on HV061 Punch tool

### Station 6



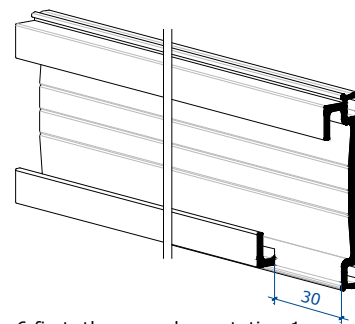
AB5072  
ABD5072



### Station 4



AB5025  
ABD5025



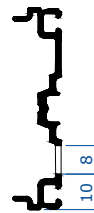
### Note

Punch on stations 4 or 6 first, then punch on station 1.

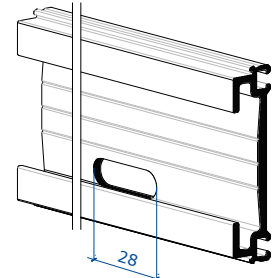
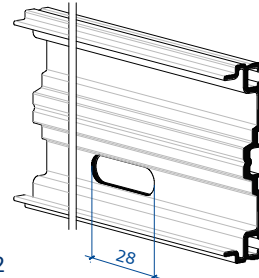
### Station 1



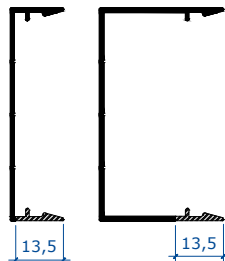
AB5025  
ABD5025



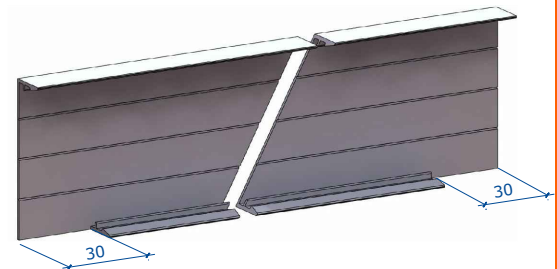
AB5072  
ABD5072



### Station 7



AB5011 AB5010



It is strongly recommended to make use of this tool to achieve top quality. Refer to the Advantage Curtain Wall book for further details.

May 2019  
Technical Bulletin

[www.hbs.co.za](http://www.hbs.co.za)

CAPE TOWN  
DURBAN

JOHANNESBURG

021 534-7420

031 564-7350

0861 246-444

0861 AIM HIGHER

**HBS**  
ALUMINIUM SYSTEMS