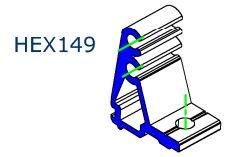
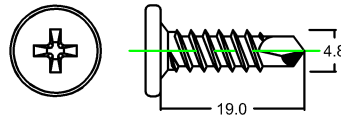


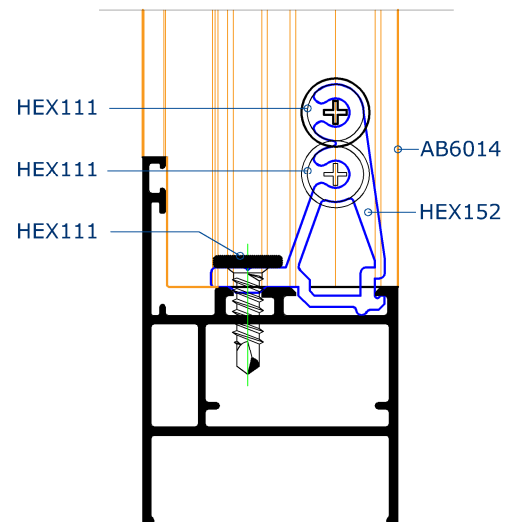
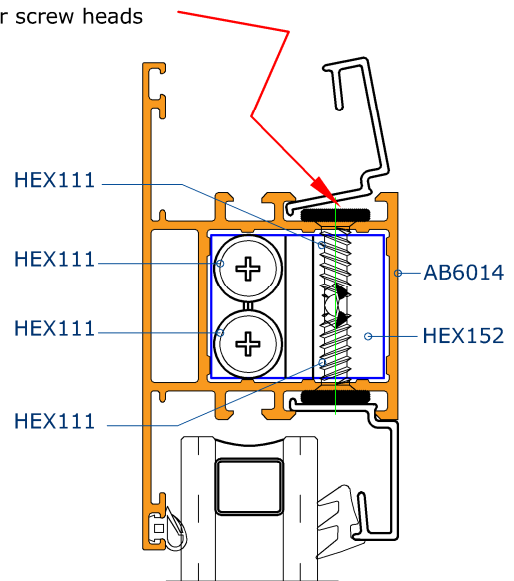
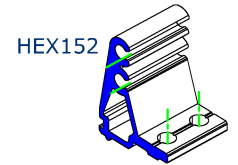
NEW TEK SCREW FOR EXPLORER CONNECTORS -

- EXPLORER SPIGOT SCREW (CODE HEX111) TO SPEED UP ASSEMBLY OF EXPLORER SCREENS AND DOORS.

HEX111



- HEX111, 5x19mm Wafer head TEK screw.
- 304 grade austenitic stainless steel
- PH2 head drive
- Spray liberally with silicone based lubricant
- No pre-drilling when using TEK screws
- No more cropping of glazing beads needed to clear screw heads



Use HEX170 pneumatic tool to punch screw holes

March 2019
Technical Bulletin

www.hbs.co.za

CAPE TOWN 021 534-7420
DURBAN 031 564-7350
JOHANNESBURG 0861 246-444
0861 AIM HIGHER

HBS
ALUMINIUM SYSTEMS